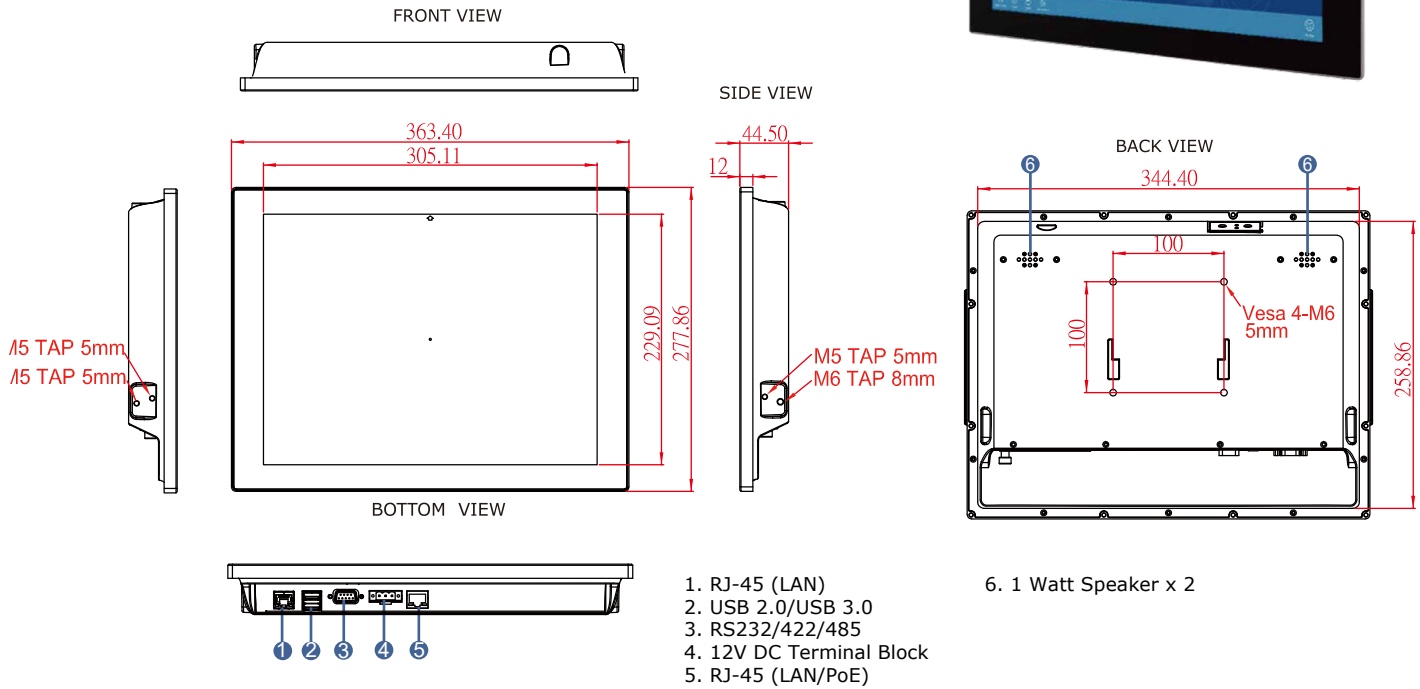


# 15" S-Series HMI - R15IB3S-PCC3-PoE

## Features

- 15" 1024 x 768 Resolution with Projected Capacitive Multi-Touch (P-CAP)
- Low-Power System with Intel® Celeron® N2930 Processor
- Fanless Cooling System and Ultra-low Power Consumption
- Dual Gigabit Ethernet
- Front IP65 Water and Dust Proof
- Support PoE function
- Room Booking Schedule, Access Control, Room Information Display



## Specifications

### System :

- Processor : Intel® Celeron® Bay Trail-M N2930 1.83GHz
- Memory : 2GB DDR3L 1600 SODIMM (Optional 8GB)
- Storage : 64GB M.2 SSD
- System Chipset : Intel® ATOM SoC Integrated
- LAN : Dual Intel® I210-AT GbE LAN

### Display Specification :

- Size/ Type : 15" TFT(LED Back Light)
- Resolution (pixels) : 1024 x 768
- Brightness (cd/m<sup>2</sup>) : 300 cd/m<sup>2</sup>
- Touch screen : Projected Capacitive Multi-Touch (P-CAP)  
: Optional anti-glare coating

### Input / Output

- Serial Ports : RS232/422/485
- USB Ports : 1 x USB 3.0  
1 x USB 2.0
- Ethernet : 1 x RJ 45-10/100/1000 Mbps (LAN)  
1 x RJ45 (PoE)
- DIDO : 1 x DIDO (Optional)

### Power

- Power Input : 12V DC-in
- Power over Ethernet : Power Device (PD) follows IEEE 802.3at (25 W)  
*PoE support condition: used without other power-consuming devices*
- Power consumption : 23W

### Mechanical Specification :

- Cooling System : Fanless design
- Mounting : VESA Mount(100x100mm), Panel Mount,  
Front Side Wall Mount
- Dimension (W x H x D) : 363.40 x 277.86 x 44.50 (mm)

### Environment :

- Operating Temperature : 0 °C to 50 °C
- Humidity : 10% to 90% non-condensing
- IP Rating : Front IP65

### OSBSP Driver Support :

- Operating System : Windows 10 IoT Enterprise