

# W10RK3S-PCH2LB, 10.1-inch S Series HMI

Enhanced User Experience with PCAP Touch and All-Around LED Status Light Bar

The S Series HMI - W10RK3S-PCH2LB is a 10.1-inch panel PC designed specifically as an interface for smart access control. What makes the series stand out include the features of the PoE function, which allows the transfer of data and electrical power simultaneously resulting in a reduction of installation costs and power consumption, as well as the integrated RFID technology that limits the access only to specific personnel. Ease of cleaning has also been taken into consideration and resulted in the series being built with a true flat surface for easy cleaning and avoiding clogged dust on the edges while delivering superior readability. Experience ultimate access control with all-around programmable LED status light bar for a diverse range of applications including access control systems, conference room management platforms, interactive POS/ kiosk terminals, and many more smart facility control scenarios.



## Highlights

- 10.1" 1280 x 800 Resolution with Projected Capacitive Multi-Touch (PCAP)
- ARM Dual-core -A72 up to 2.0 GHz + Quad-core A53 up to 1.5 GHz
- Fanless cooling system and ultra-low power consumption
- Supports PoE function
- All-around LED status light bar
- Optional HF RFID Reader
- Stylish design for room booking, access control and room information applications



# W10RK3S-PCH2LB, 10.1-inch S Series HMI

Enhanced User Experience with PCAP Touch and All-Around LED Status Light Bar

## Display Specification

Panel Size	10.1" TFT (Wide screen)
Resolution	1280 x 800
Contrast Ratio	800:1 (typ.)
Brightness	350 (typ.) nits <sup>1</sup>
Viewing Angle	-85~85(H);-85~85(V)
Max Colors	16.7M
Touch	Projected Capacitive Multi-Touch (PCAP), optional anti-glare coating

## System Specification

CPU	ARM Dual-core A72 up to 2.0GHz + Quad-core A53 up to 1.5GHz
System Memory	2 GB LPDDR3L 1600 (Optional 4 GB LPDDR3L) <sup>2</sup>
Storage	16 GB eMMC (default), Micro SD Card
Operating System	Android 7.1 (Default)

## Interface

Ethernet LAN	1 x RJ 45-10/100/1000 Mbps LAN, supports PoE function
Serial Ports	1 x RS-232/422/485
USB	1 x USB 3.0, 1 x USB 2.0, 1 x USB OTG
Power Input	1 x Terminal Block 3 pin
HDMI	1 x Micro HDMI (Optional)
Memory Card Slot	1 x Micro SD Card Slot

## Audio

Speaker	1 x 1 Watt speaker
---------	--------------------

## Keyboard and Input

LED Indicators	All-around RGB LED status light bar
Touch	PCAP touch

## Data Capture

HF RFID	HF RFID Reader (Optional)
---------	---------------------------

## Power Management

Power Input	12V DC
Power over Ethernet (PoE)	Power Device (PD), follows IEEE 802.3at (25 W), IEEE 802.3af (15 W)
AC Adapter	12 W

## Standards and Certification

EMC	CE
Safety	FCC

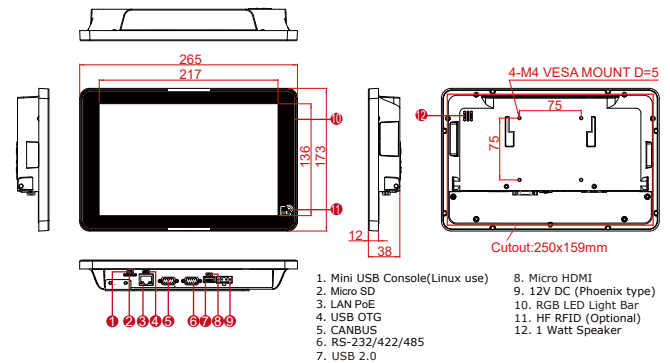
## Mechanical Specifications

Dimensions	263.28 x 171 x 35.7 mm
Cutout	157.6 x 249 mm <sup>3</sup>
Mounting	VESA Mount (75x75mm), Panel Mount, Front Side Wall Mount

## Environment

Operating Temperature	0 °C to 50 °C
Operating Humidity	30% to 90% (non-condensing)
IP Rating	Front IP65 waterproof and dustproof

## Drawing <sup>4</sup>



1. Measured at dimming LCD brightness. Varies depending on the usage conditions, or when an external device is attached.
2. Total usable memory will be less depending upon actual system configuration.
3. Length measurements do not include protrusions. Weight varies with options.
4. This is a simplified drawing and some components are not marked in detail.
5. Accessories and integrated options may vary depending on your configuration.