



TOFcam-635-S-UWF

3D Micro-Camera

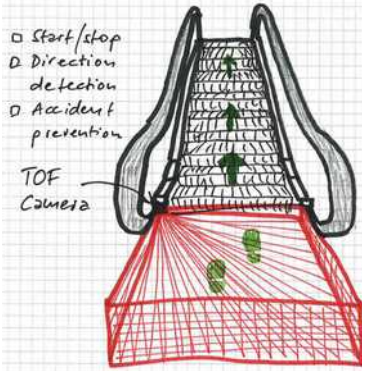
FEATURES

- ✓ Low cost
- ✓ Eye safe
- ✓ High performance indoor application
- ✓ Processor for embedded application
- ✓ Calibrated and compensated
- ✓ UART Operating interface
- ✓ USB Programming interface
- ✓ Semiconductor or relay output

FUNCTIONAL DESCRIPTION

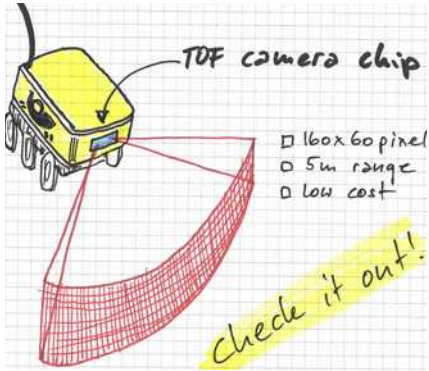
The TOFcam-635-S-UWF is a miniaturized 3D camera. It is based on the ESPROS proprietary time-of-flight technology using the epc635 TOF chip. The camera controller contains a processor which is open for simple customer specific application software. Programmable NO / NC outputs allow customers to fully turn this camera into a TOF sensor. The USB interface gives safe control and easy programming and teaching capabilities. The fast UART interface guarantees a powerful embedding to extended systems containing a central control unit. All depth images are compensated against ambient light, temperature and reflectivity of the scenery. Thanks to the high efficiency of the imager chip at 850nm wavelength, this camera has best performance for various utilization. With its flexibility it's your first choice for use in mobile robotics and similar applications.

APPLICATIONS



- Start/stop
- Direction detection
- Accident prevention

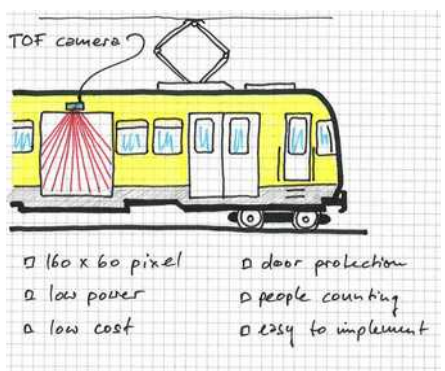
TOF Camera



TOF camera chip

- 160x60 pixel
- 5m range
- low cost

check it out!



TOF camera

- 160 x 60 pixel
- low power
- low cost
- door protection
- people counting
- easy to implement

SPECIFICATIONS



Range
2cm ... 3m



Temperature Range
-20 ... +60°C



Data Output
Distance data in mm
Confidence data
Grayscale data



Accuracy
2cm ... 1m: ±2cm
1 ... 3m: ±2%



Illumination
850nm



Frame Rate
up to 20fps



Field of View
125° x 45° Rx (GS)
125° x 15° Tx (TOF)



Power Consumption
24VDC
Approx. 1.7W, depending on operating mode



Various
Available processor capacity for embedded application



Resolution
160 x 60 Pixel

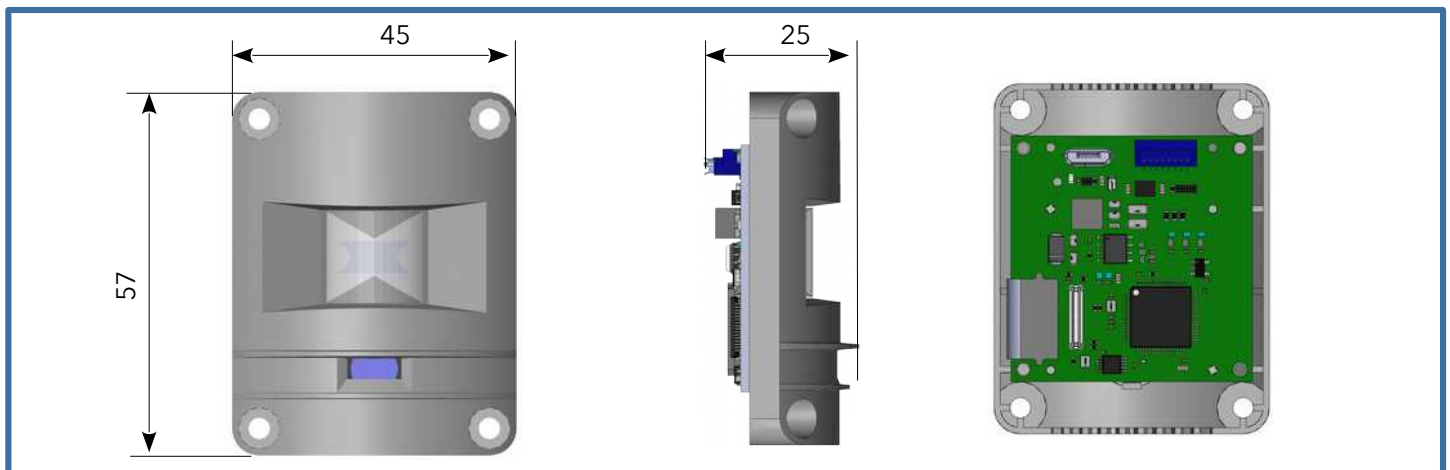


Interface
UART, USB
NO / NC output 24V
2x low side, 1x high side
Optional relay output



Dimensions
H x W x D = 57 x 45 x 25mm

MECHANICAL DIMENSIONS



ORDER INFORMATION

Name:	Part No:
TOFcam-635-S-UWF-850-R	P100 623
TOFcam-635-S-UWF-850-E	P100 651
Power Supply 24 VDC	P100 660

CONTACT INFORMATION

Headquarters Switzerland
phone: +41 58 411 03 00
email: sales@espros.com

US / Canada Sales Office
phone: +1 336 837 8820
email: sales_us@espros.com

China Sales Office
phone: +86 150 2112 2587
email sales@espros.cn