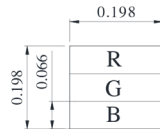
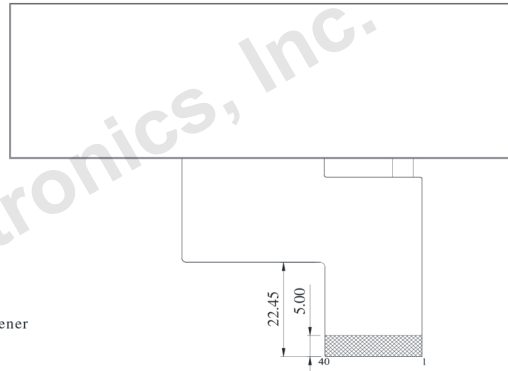
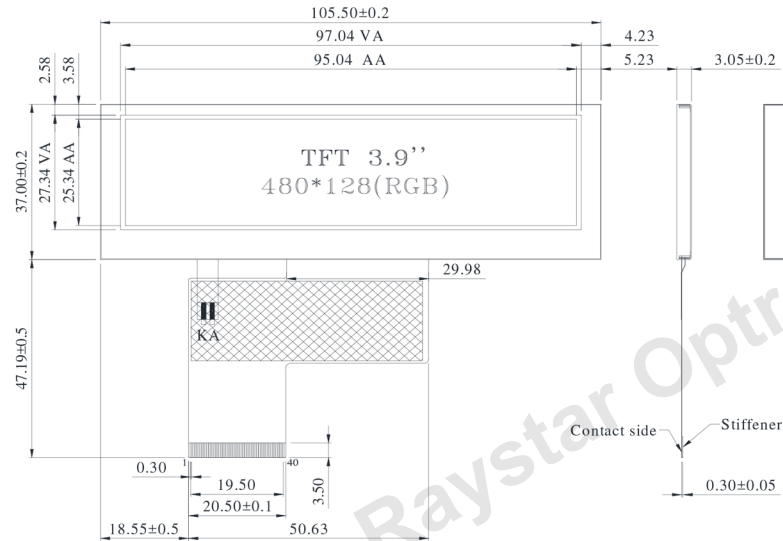




# Your Best Partner of the Display Solutions

## RFS390B-ALW-DNN TFT 480x128 dots



PIN NO.	SYMBOL	PIN NO.	SYMBOL
1	VLED-	21	B0
2	VLED+	22	B1
3	GND	23	B2
4	VCC	24	B3
5	R0	25	B4
6	R1	26	B5
7	R2	27	B6
8	R3	28	B7
9	R4	29	GND
10	R5	30	DCLK
11	R6	31	DISP
12	R7	32	HSYNC
13	G0	33	VSYNC
14	G1	34	NC(DE)
15	G2	35	NC
16	G3	36	RESET
17	G4	37	NC
18	G5	38	NC
19	G6	39	NC
20	G7	40	NC

The non-specified tolerance of dimension is ±0.3 mm .

SCALE 100/1