

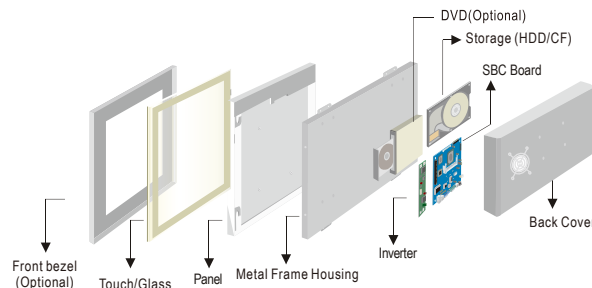
R19IV7T-RKM1 19" Rack Mount PPC

(Intel 3rd Generation i5/i7 CPU)

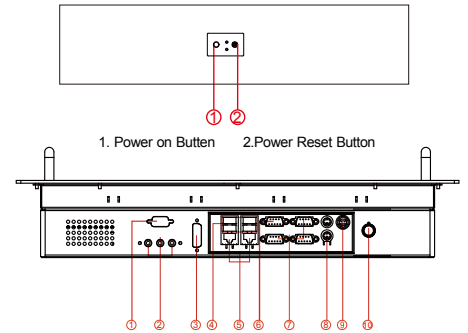
Mechanical Design



Rack Mount



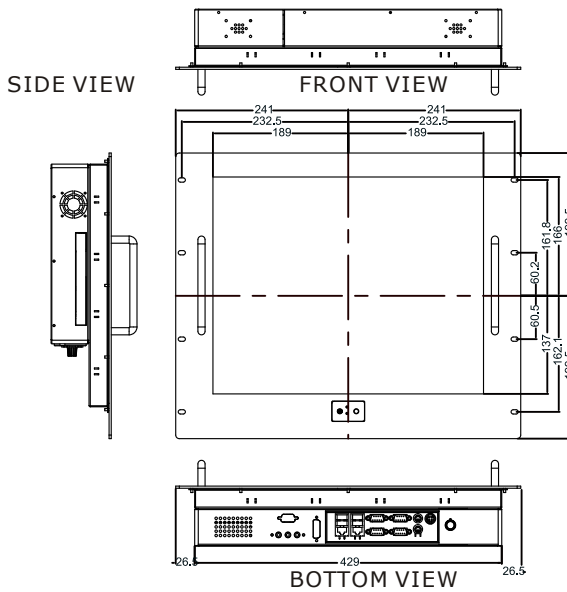
Modularized Construction



- | | |
|----------------------------|--------------------------------|
| 1. Power on Button | 2. Power Reset Button |
| 3. RS-232 Conn. (Optional) | 4. Audio Jack |
| 5. DVI (Optional) | 6. VGA Out |
| 7. RS-232 Conn. | 8. PS/2 |
| 9. DC 12V | 10. Brightness Adjustment Knob |

Fully Integrated I/O

Dimensions



SIDE VIEW

FRONT VIEW

SIDE VIEW

BACK VIEW

BOTTOM VIEW

- * Measurements shown in mm
- * Tolerance of all dimensions is shown as follow 0~30 mm ± 0.1 mm, 30~50 mm ± 0.15 mm, 50~120 mm ± 0.2 mm, above 120 mm ± 0.25 mm
- * Note: this is a simplified drawing and some components are not marked in detail. Please contact our sales representative if you need further product information.

System Specifications

System	
CPU	: Intel®Core™ i5-3320M i7-3520M (2.6GHz / 2.9GHz)
Memory	: 2 x SO-DIMM, Max 16GB DDR3L 1600
System Chipset	: Intel® HM76 Chipset
Storage	: 1 x SATAIII, 1 x SATAII, 1 x mSATA
LAN	: Dual Broadcom BCM57780 GbE
Audio Codec	: Realtek ALC886 HD Audio Codec

Panel Spec	
Size/Type	: 19" TFT
Resolutions	: 1280 x 1024
Brightness	: 250 cd/m ² (typ.)
Contrast Ratio	: 1000 : 1 (typ.)
Viewing Angles	: -85~85(H); -80~80(V)
Max Colors	: 16.7M (8bits+FRC)

Input / Output	
Serial Ports	: 2 x RS232, 1 x RS232/422/485
USB Ports	: 4 x USB 3.0
Keyboard / Mouse	: 2 x PS/2
Ethernet	: 2 x RJ 45-10/100/1000 Mbps
VGA	: 1 x VGA (female)
Audio	: Line-Out, Line-In, Mic in

• Default setting: RS232

Environment Considerations	
Operating Temperature	: 0°C to 50°C
Operating Humidity	: 30% to 90% (non condensing)

Expansion Slot	
1 x PIC-E(x16), 2 x Mini PCIe	

* A customized housing is needed if you would like to have the PCI expansion.

Order Options	
Mechanical : Rack mount PPC	Storage: 2.5" HDD/mSATA SSD
Touch : 5 Wires Resistive (Optional)	RAM : SO-DIMM DDR3
	OS : Windows XP Embedded
	Windows 7 Embedded
	Windows 8 Embedded
	Windows 10 IoT Enterprise
	DVD : Yes (Optional)

(A customized housing is needed if you have demands of SAW/IR/SC touch)

Power Specifications	
Power Input	: 12V DC IN (Lockable Power Jack)
Power Consumption	: 96W (typ.) (Max. backlight & high CPU load)

Accessories	
External Power Supply	120W w/power cord

