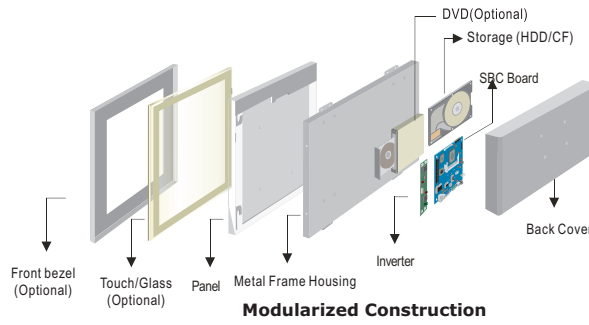


R15ID7T-RKC3 (Intel® Atom Dual Core D2550+NM10 Platform)

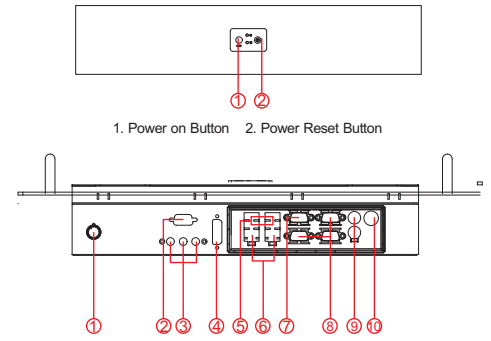
Mechanical Design



Rack Mount



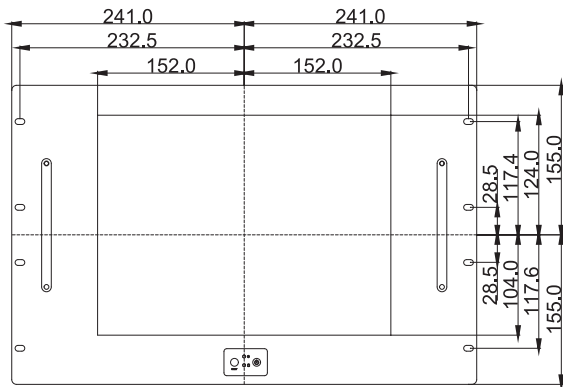
Modularized Construction



1. Power on Button 2. Power Reset Button

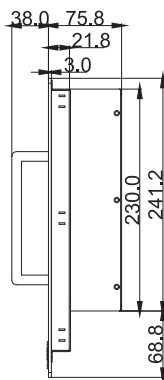
- 1. Brightness Adjustment Knob
- 2. RS-232 Conn. (Optional)
- 3. Audio Jack
- 4. DVI (Optional)
- 5. USB
- 6. RJ-45
- 7. VGA Out
- 8. RS-232 Conn.
- 9. PS/2
- 10. DC-IN Lockable Power Jack

FRONT VIEW

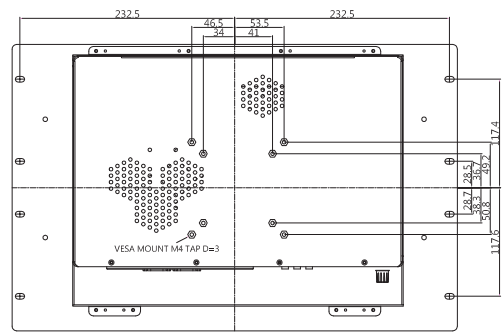


Dimensions

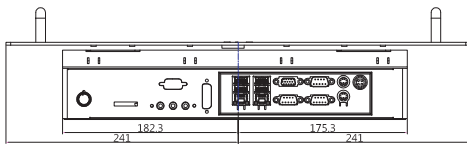
SIDE VIEW



Fully Integrated I/O



BACK VIEW



BOTTOM VIEW

- * Measurements shown in mm
- * Tolerance of all dimensions is shown as follow 0~30 mm ± 0.1 mm, 30~50 mm ± 0.15 mm, 50~120 mm ± 0.2 mm, above 120 mm ± 0.25 mm
- * Note: this is a simplified drawing and some components are not marked in detail. Please contact our sales representative if you need further product information.

Specifications

System :

- CPU : Intel® Atom Dual Core D2550 1.86GHz Processor
- Memory Slot : DDR3 1066 MHz SO-DIMM Slot, Max. 4GB
- System Chipset : NM10
- IDE/SATA : 2 x SATA
- LAN : Dual Broadcom BCM57780 GbE controller
- Audio Codec : Realtek ALC886 HD Audio Codec

Input / Output :

- Serial Ports : 2 x RS232, 1 x RS232/422/485
 - USB Ports : 4 x USB Type-A Receptacle
 - Keyboard / Mouse : 2 x PS/2
 - Ethernet : 2 x RJ 45-10/100/1000 Mbps
 - VGA : 1 x VGA (female)
 - Audio : Line-Out, Line-In, Mic in
- Default setting:RS232

Expansion Slot :

- 2 x Mini PCIe (1 for WiFi, 1 for 3G Module), 1 x PCI
- * A customized housing is needed if you would like to have the PCI expansion.

Power Specifications :

- Power Input : 12V DC IN (Lockable Power Jack)
- Power Consumption : 38W (typ.)

Accessories :

- External Adapter : 110~230V Ac-in power adapter

Panel Spec :

- Size/Type : 15" TFT
- Resolutions : 1024 x 768
- Brightness : 250 cd/m² (typ.)
- Contrast Ratio : 700 : 1(typ.)
- Viewing Angle : -70~70(H);-65~60(V)
- Max. Colors : 16.2M

Environment Considerations :

- Operating Temperature : 0 deg.C to 45 deg.C
- Operating Humidity : 30% to 90% (non condensing)

OS BSP / Driver Support :

- Support Windows 7 embedded / Windows XP embedded

Order Options :

- | | |
|---|--|
| Mechanical : Open Frame
Panel Mount(10 mm bezel)
IP65(10 mm bezel) | Storage : 2.5" HDD/ 2.5"SSD |
| Touch : 5 Wires Resistive(Optional)
<small>(A customized housing is needed if you have demands of SAW/IR/SC touch)</small> | RAM : DDR3 1066 Max 4GB |
| | OS : Windows 7 embedded / Windows XP embedded (Optional) |

