

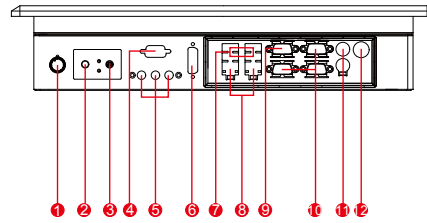
R19ID7T-PPM1 19" P-CAP Panel PC (Intel® Atom D2550+NM10 Platform)

Mechanical Design

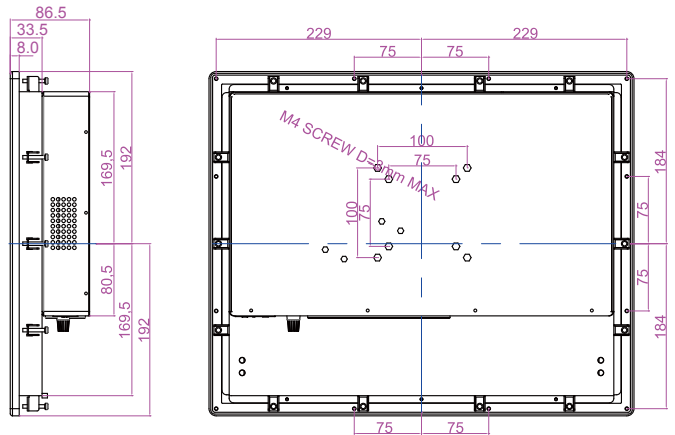
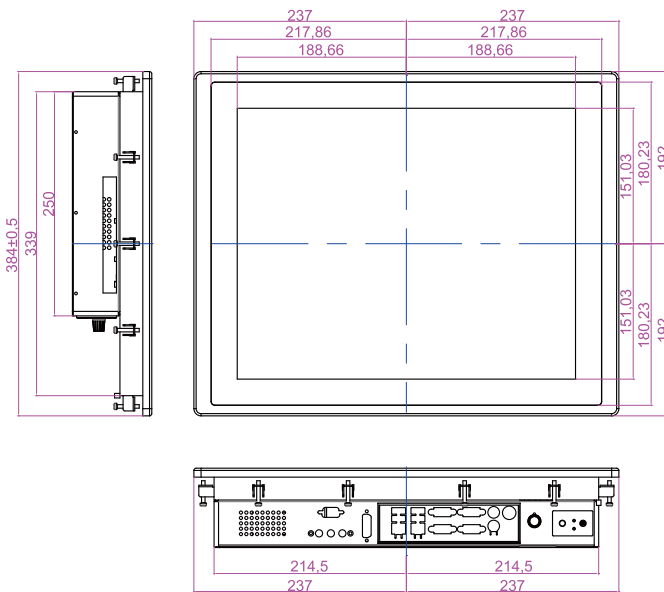


Real Flat Panel Mount (IP65 front side)

Fully Integrated I/O



1. Brightness Adjustment Knob
2. Power On Button
3. Power Reset Button
4. RS-232 Conn.(Optional)
5. Audio Jack
6. DVI (Optional)
7. USB
8. LAN
9. VGA Out
10. RS-232 Conn.
11. PS/2
12. DC-IN Power Jack



CUT OUT DIMENSION : 432*343 mm

- * Measurements shown in mm
- * Tolerance of all dimensions is shown as follow 0~30 mm ± 0.1 mm,
- * 30~50 mm ± 0.15 mm, 50~120 mm ± 0.2 mm, above 120 mm ± 0.25 mm
- * Note: this is a simplified drawing and some components are not marked in detail.
- * Please contact our sales representative if you need further product information.

Specifications

System

- CPU : Intel® Atom D2550 1.86GHz Processor
- Memory Slot : DDR3 1066 MHz SO-DIMM Slot (Default 2GB, Max to 4GB)
- System Chipset : NM10
- Storage : 32GB mSATA SSD (Default)
- LAN : Dual Broadcom BCM57780 GbE controller
- Audio Codec : Realtek ALC886 HD Audio Codec

Input / Output

- Serial Ports : 2 x RS232, 1 x RS232/422/485
 - USB Ports : 4 x USB Type-A Receptacle
 - Keyboard / Mouse : 2 x PS/2
 - Ethernet : 2 x RJ 45-10/100/1000 Mbps
 - VGA : 1 x VGA (female)
 - Audio : Line-Out, Line-In, Mic in
- Default setting:RS232

Expansion Slot

- 2 x Mini PCIe, 1 x PCI
- * A customized housing is needed if you would like to have the PCI expansion.

Panel Spec

- Size/Type : 19" TFT
- Resolutions : 1280 x 1024
- Brightness : 250 cd/m² (typ.)
- Contrast Ratio : 1000 : 1 (typ.)
- Viewing Angle : -85~85(H); -80~80(V)
- Max. Colors : 16.7M (8 bits/colors)
- Touch Screen : Projective Capacitive multi-touch

Environment Considerations

- Operating Temperature : 0 deg.C to 50 deg.C
- Operating Humidity : 30% to 90% (non condensing)

OS BSP / Driver Support

- Support Windows 7 Embedded Std.7 - WS7P

Power Specifications

- Power Input : 12V DC IN (Lockable Power Jack)
- Power Consumption : 60W (typ.)(Max.backlight & high CPU load)

Accessories

- External Adapter : 110~230V Ac-in Power Adapter