

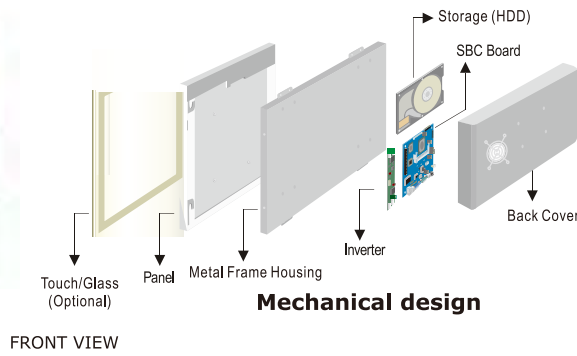
R19IH7T-IPA1

19" Panel PC (Intel® 4th Generation Core™ i5 Platform)

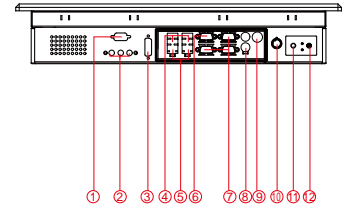
Mechanical Design



**IP65
(8mm front bezel)**



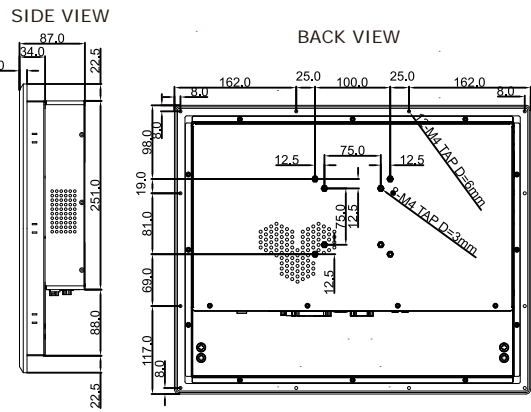
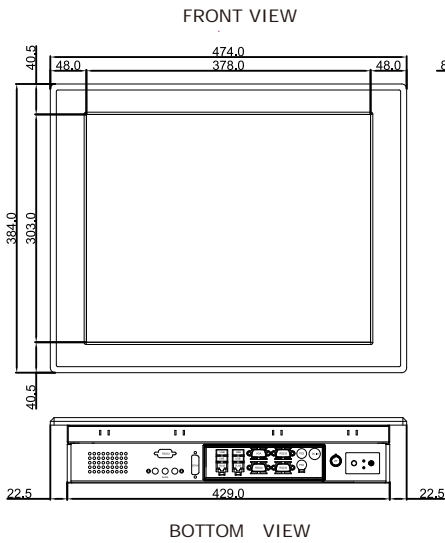
Mechanical design



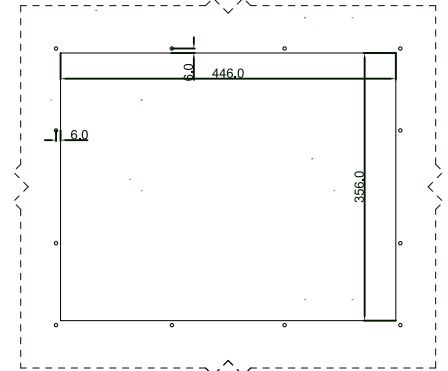
- | | |
|----------------------------|--------------------------------|
| 1. RS-232 Conn. (Optional) | 7. RS-232 Conn. |
| 2. Audio Jack | 8. PS/2 |
| 3. DVI (Optional) | 9. 12V DC-in |
| 4. USB | 10. Brightness Adjustment Knob |
| 5. LAN | 11. Power On Button |
| 6. VGA | 12. Power Reset Button |

Fully Integrated I/O

Dimensions



IP65 CUT OUT



- * Measurements shown in mm
- * Tolerance of all dimensions is shown as follow 0~30 mm ± 0.1 mm, 30~50 mm ± 0.15 mm, 50~120 mm ± 0.2 mm, above 120 mm ± 0.25 mm
- * Note: this is a simplified drawing and some components are not marked in detail. Please contact our sales representative if you need further product information.

Specifications

System :

- CPU : Intel® 4th Generation Core™ i5-4200M 2.5GHz (Max. 3.1GHz) Processor
- Memory Slot : 2 x SO-DIMM, Max 16GB DDR3L 1333/1600
- System Chipset : Intel® QM87 Chipset
- IDE/SATA : 2XSATA III
- LAN : Intel® Ethernet Controller I211-AT + Intel® Gigabit Ethernet PHY I218-LM
- Audio Codec : Realtek ALC886 HD Audio Codec

Input / Output :

- Serial Ports : 2 x RS-232, 1 x RS-232/422/485
- USB Ports : 4 x USB 3.0
- Keyboard/Mouse : 2 x PS/2
- Ethernet : 2 x RJ45-10/100/1000 Mbps
- VGA : 1 x VGA
- Power : 1 x DC-in Power Jack(+12V)
- Audio : Line in, Line out, Mic in

Expansion Slot :

- 2 x Mini PCIe (1 for WiFi, 1 for 3G Module) , 1 x PCIe x 16

Power Specifications :

- Power Input : 12V DC IN
- Power Consumption : 67W (typ.) (Max. backlight & high CPU load)

Accessories :

- External Adapter : 110~240V Ac-in Power Adapter

Panel Spec :

- Size/Type : 19" TFT
- Resolutions : 1280 x 1024
- Brightness : 400 cd/m² (typ.)
- Contrast Ratio : 1000 : 1 (typ.)
- Viewing Angle : -85~85(H); -80~80(V)
- Max. Colors : 16.7M (8 bits/colors)

Environment Considerations :

- Operating Temperature : 0 deg.C to 50 deg.C
- Operating Humidity : 30% to 90% (non condensing)

Order Options :

Mechanical : IP65 (8mm bezel)	Storage : 2.5" HDD/mSATA SSD
Touch : 5 Wires Resistive (Optional)	RAM : DDR3L 1333/1600 MAX 16GB
(A customized housing is needed if you have demands of SAW/IR/SC touch)	OS : Windows 7 / Windows 8 embedded / Windows 10 IoT Enterprise