

HMI PoE Panel PC

Model:W07ID3S-PMA2-PoE

Product Features:

- 7" TFT LCD with resistive touch screen
- Embedded intel® Atom N2600 1.6 GHz processor
- Power Device
- Support Power over Ethernet(PD) IEEE 802.3at
- Fanless and Ultra-low power consumption
- Aluminium Front Bezel

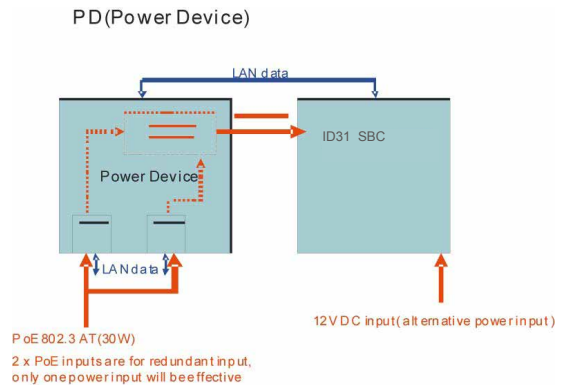


Panel Mount
6mm Front bezel

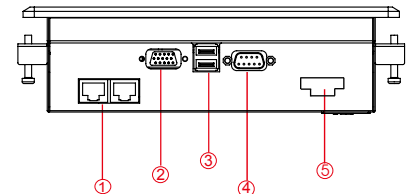
Product Specifications:

Display	Model Name	W07ID3S-PMA2-PoE
	Size/Type	7" TFT
	Resolution (pixels)	800 x 480
	Number of Colors	262 K
	Brightness (cd/m2)	300
	Contrast Ratio	500:1
System	Viewing Angle	-70~70 (H) ; -50~70 (V)
	Processor	Intel® Atom N2600 1.6GHz
	Chipset	Intel® NM10
	Memory	1 x SO-DIMM DDR3 800/1066 (max 4GB)
	LAN	Dual Realtek RTL8111B Gigabit LAN Controller
	Options	Intel® WG82574L GbE LAN Controller for WinCE 7.0 OS
	Storage	1 x Mini PCI-E SSD
Input / Output	USB Port	2 x USB
	Ethernet	2 x RJ 45-10/100/1000, Power Device (PD): follows IEEE 802.3at (25 W)
	VGA	1 x VGA (female)
	RS-232	1 x RS-232 COM Port
	RS-422/485	1 x *RS-232/422 / 485 COM Port (*Default RS-485)
	*7" PPC needs either one port 802.3at PoE input	
Power	Power Input	12~24V DC-IN Power input or receives PoE Power from RJ45 Connector
	Power consumption	21W (typ.)(Max.backlight & high CPU load)
Environment	Operating Temperature	-10 deg.C to 60 deg.C
	Humidity	30% to 90% (non condensing)
Support OS	Windows XP embedded / Windows 7 / Windows XPP Embedded / Linux WinCE 7.0 Core Runtime / WinCE 7.0 Pro Runtime	
Accessories	External Adapter	110~230V Ac-in Power Adapter
Default	Mechanical	Panel Mount
	Touch	4 Wires Resistive
	CPU	N2600 1.6GHz
	Storage	1 x Mini PCI-E SSD 16GB
PoE Function	RAM	1 x SO-DIMM DDR3 2GB
	Require IEEE 802.3at 25W power input	
Testing PoE Router	Power Device PD (Power-input)	
Testing PoE Router	Winmate has tested this PD Product with D-Link DES-1008P and works perfectly	

Block diagram:



I / O View:



1. 2xRJ-45 with PoE function
2. VGA Out
3. USB
4. RS-485 (Default)
5. Terminal block

