

HMI PoE Panel PC

Model:W10I93S-PMH1-PoE

Product Features:

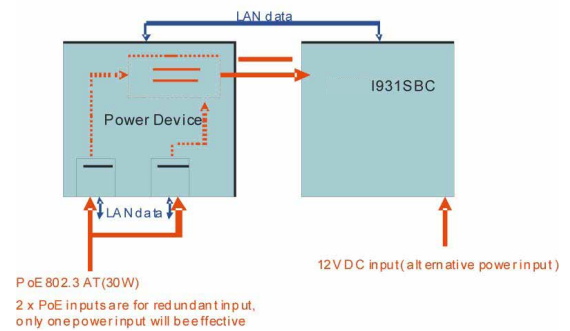
- 10" TFT LCD with resistive touch screen
- Embedded Intel® Atom Z510P1.1GHz processor
- Power Device
- Support Power over Ethernet(PD) IEEE 802.3at
- Fanless and Ultra-low power consumption
- Aluminium Front Bezel



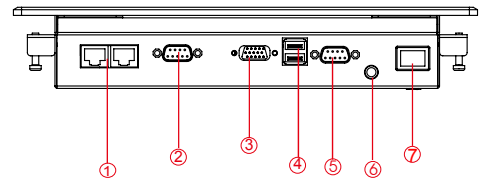
Panel Mount
6mm Front bezel

Block diagram:

PD(Power Device)



I / O View:

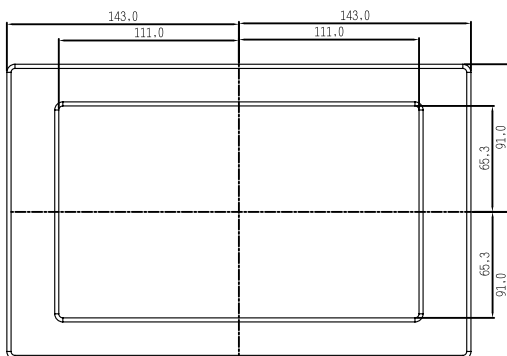


- | | |
|--------------------------------|----------------|
| 1. 2 x RJ-45 with PoE function | 5.RS-232 |
| 2. RS-485(Default) | 6.12V DC-IN |
| 3. VGA Out | 7.Power Button |
| 4. 2 x USB | |

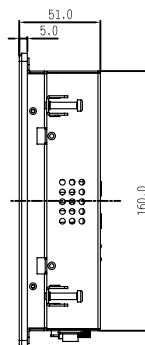
Product Specifications:

Display	Model Name	W10I93S-PMH1-PoE
	Size/Type	10" TFT(LED Back Light)
	Resolution (pixels)	1024 x 600
	Number of Colors	256 K
	Brightness (cd/m2)	200
	Contrast Ratio	500:1
	Viewing Angle	-70~70 (H) ; -60~50 (V)
System	Processor	Intel® Atom Z510P 1.1GHz
	Chipset	Intel® US15W XL
	Memory	1 x SO-DIMM 512MB DDR2 400/533 (max 1GB)
	LAN	Dual Realtek RTL8111B Gigabit LAN Controller
	Storage	1 x Mini PCI-E SSD 4GB
Input / Output	USB Port	2 x USB
	Ethernet	2 x RJ 45-10/100/1000, Power Device (PD): follows IEEE 802.3at (25 W)
	VGA	1 x VGA (female)
	RS-232	1 x RS-232 COM Port
	RS-422/485	1 x *RS-232/422 / 485 COM Port (*Default RS-485) *10.1" PPC needs either one port 802.3at PoE input
Power	Power Input	12V DC-IN Power input or receives PoE Power from RJ45 Connector
	Power consumption	19W (typ.)(Max.backlight & high CPU load)
Environment	Operating Temperature	0 deg.C to 50 deg.C
	Humidity	30% to 90%(non condensing)
Driver OS Support	Windows XP embedded / Windows 7 / Windows XP Embedded / Linux / Win CE	
Accessories	External Adapter 110~230V Ac-in Power Adapter	
Default	Mechanical	Panel Mount
	Touch	4 Wires Resistive
	CPU	Z510P 1.1GHz (Z530P by request)
	Storage	1 x Mini PCI-E SSD 8GB
RAM	1 x SO-DIMM DDR2 400/533 512MB	
PoE Function	Require IEEE 802.3at 25W power input Power Device PD (Power-input)	
Testing PoE Router	Winmate has tested this PD Product with D-Link DES-1008P and works perfectly	

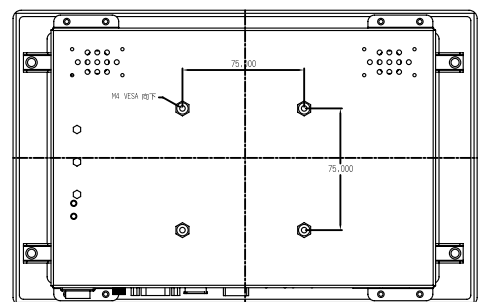
Dimensions:



Side View



Back View



Bottom View



- Total dimention: L x H x D=286 x 182 x 51mm
- Cutout dimention: 239 x 170mm
- Note: this is a simplified drawing and some components are not marked in detail. Please contact our sales representative if you need further product information