

P-Cap Panel Mount LCD Front side IP65



10.4" P-Cap LCD

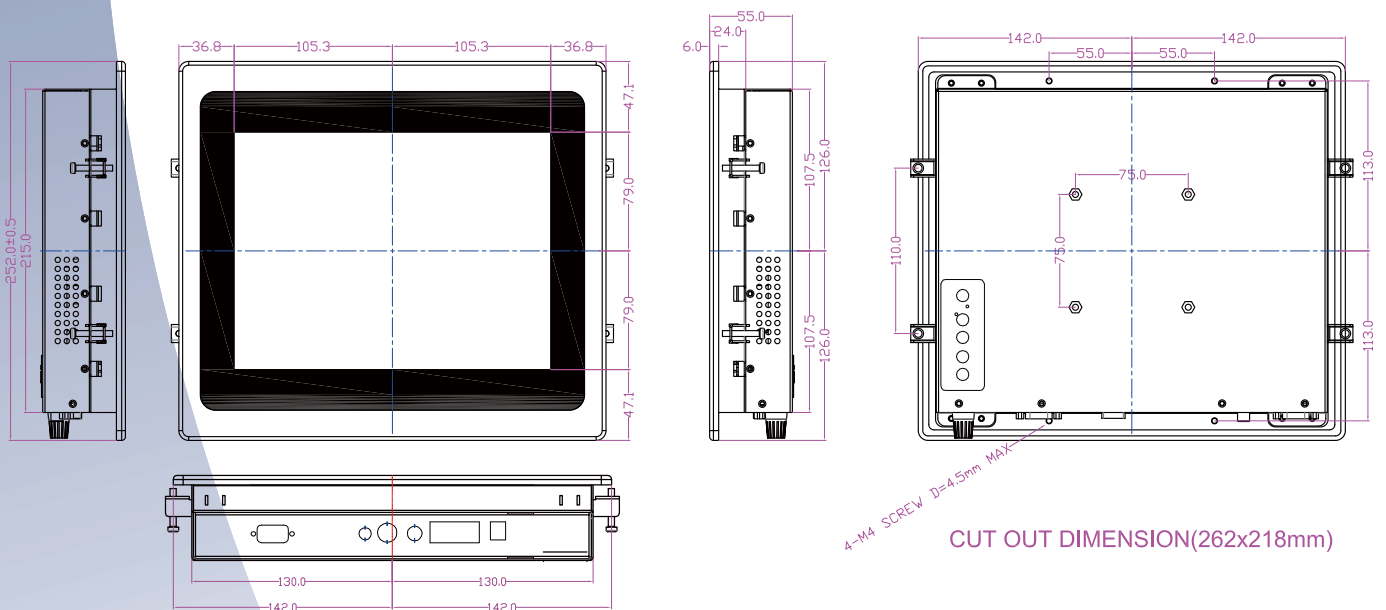
Specifications



Model Name	R10L100-PPP1HB (High Brightness)
Viewable Size Image	10.4"
Active Display Area (mm)	211.2(H)x158.4(V)
Display Resolution (pixel)	R10L100-PPP1HB : 800 (H) x 600 (V)
Pixel Pitch (mm)	0.264(H)x0.264(V)
Synchronization Range Horizontal / Vertical	31.5~46.9 KHz / 60~75 Hz
Contrast Ratio	400:1(typ.)
Brightness (cd/m ²)	1000 (typ.)
Viewing Angle (CR>=10)	-70~70(H);-70~60(V)
Power Source	12V DC in, with External AC to DC Adapter (100~240V AC)
Power Consumption	10 W typical, normal operation
Power Management	VESA DPMS Compliant
Optional Video Input	S-Video, Composite
Plug & Play	Yes
Touch Screen	Projective Capacitive Touch (USB)
Operating Temperature	0 deg. C to 50 deg. C

Remarks: R10L100 series= VGA input only
R10L110 series= VGA+Video Input

Mechanical Drawing



* Note: this is a simplified drawing and some components are not marked in detail. Please contact our sales representative if you need further product information.