



DLF4309-ANU / DLH4309-ANU V1 43" TFT LCD, LED Backlight 1800nits, UHD(3840x2160)

The DLF/DLH4309-ANU is a 43 inch industrial grade sunlight readable LCD, with high brightness 1800 nits and high color saturation, it produce sharp images, crisp text and lifelike colors. The Durapixel LED backlight technology ensures high reliability and low power consumption, suitable for outdoor application, kiosk, factory automation, military, transportation and gaming application.

Key Features

- High Brightness 1800 nits
- Sunlight Readable
- LED Backlight
- Low Power Consumption
- Slim Bezel
- BL MTBF: 100,000 hours



Specifications

Model Name	DLF4309-ANU / DLH4309-ANU V1
Description	43" TFT LCD, LED Backlight 1800 nits, UHD (3840x2160)
Screen Size	43"
Display Area (mm)	941.184(H) x 529.416(V)
Brightness	1800 cd/m ²
Resolution	3840x2160
Aspect Ratio	16 : 9
Contrast Ratio	3900 : 1
Pixel Pitch (mm)	0.49005(H) x 0.49005(V)
Pixel Pre Inch (PPI)	102
Viewing Angle	178°(H),178°(V)
Color Saturation (NTSC)	80%
Display Colors	1.07G
Response Time (Typical)	8ms
Panel Interface	V-by-One
AD Board Input Interface	VGA, DVI-D, HDMI, DP
AD Board Input Power	DC12V (DC24V optional)
Power Consumption	177W, (182W with AD Board)
OSD Key	5 Keys (Power Switch, Menu, +, Exit, -)
OSD Control	Brightness, Color, Contrast, Auto Turing, H/V Position...etc
Dimensions (mm)	968.2 x 556.4 x 44.8
Bezel Size(U/B/L/R)	11.5/11.5/11.6/11.6 mm
Weight (Net)	11kg
Operating Temperature	0 °C ~ 50 °C
Storage Temperature	-20 °C ~ 60 °C

DLF= Panel + LED Driving Board

DLH= Panel + LED Driving Board + AD Control Board

Specifications are subject to change without notice.

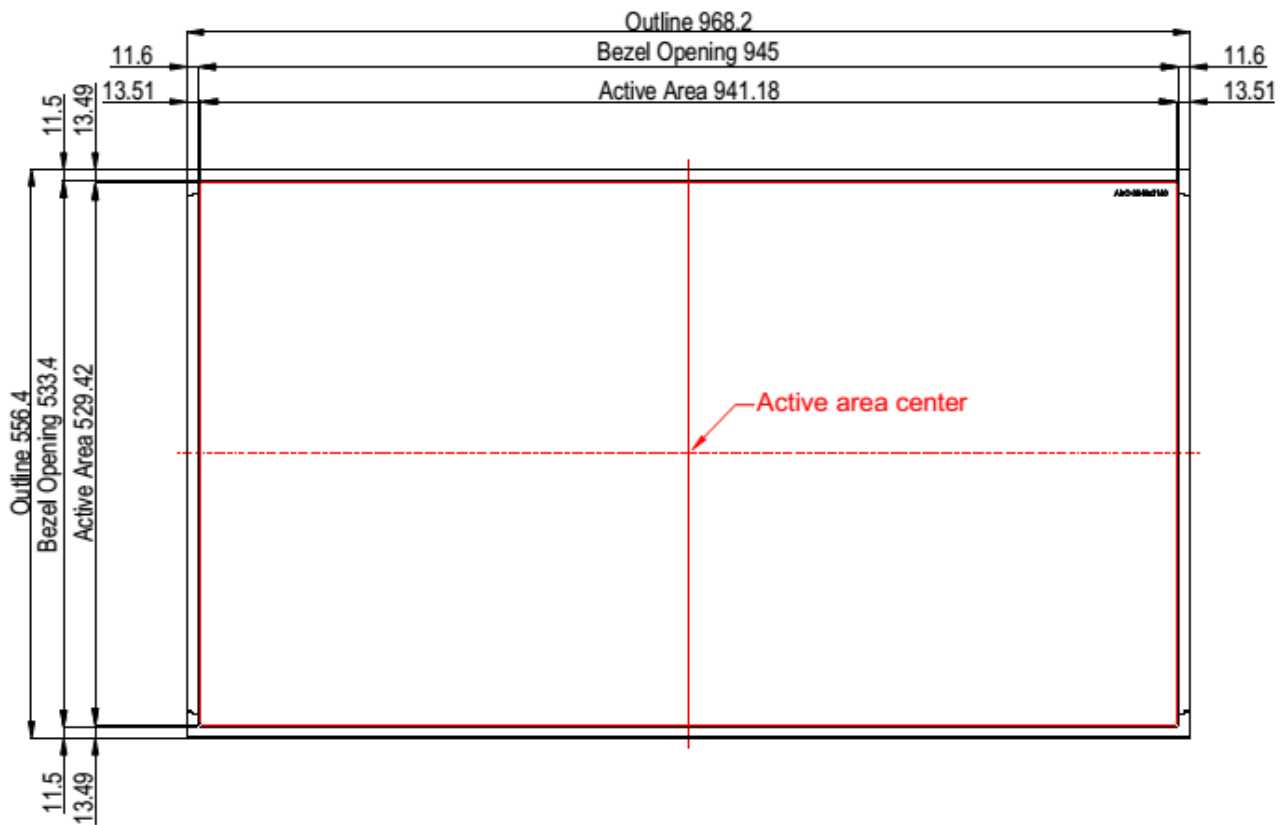
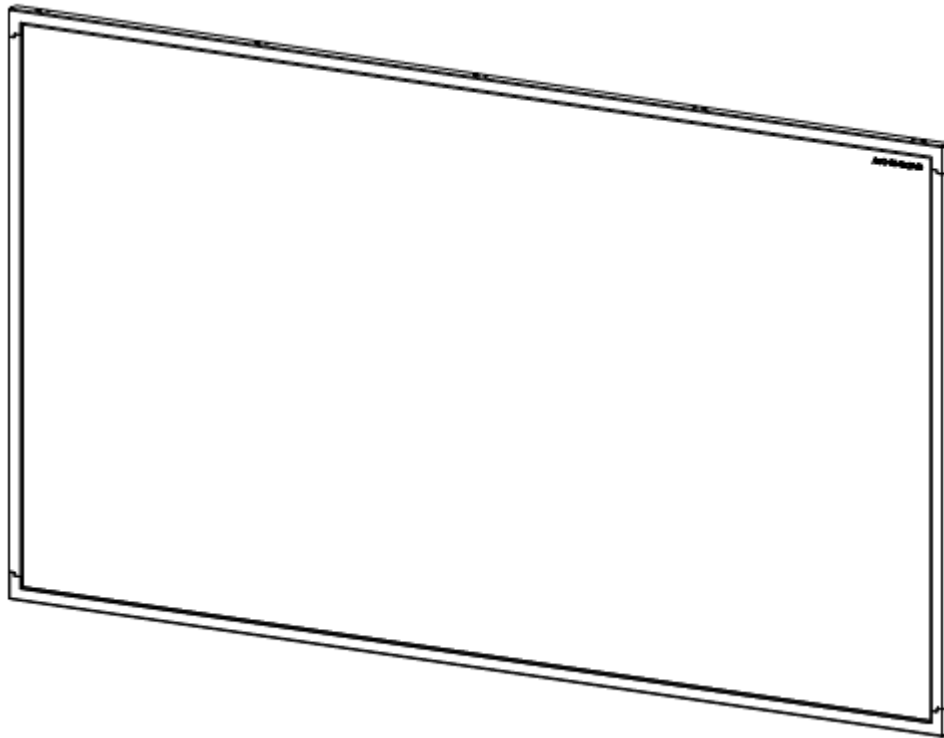
All brands or product names are trademarks or registered trademarks of their respective companies.

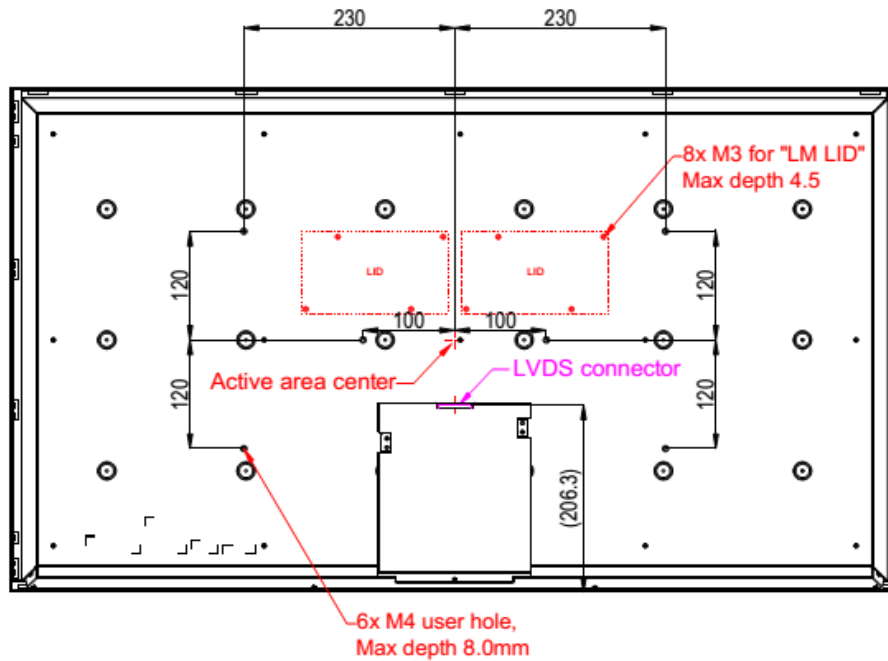
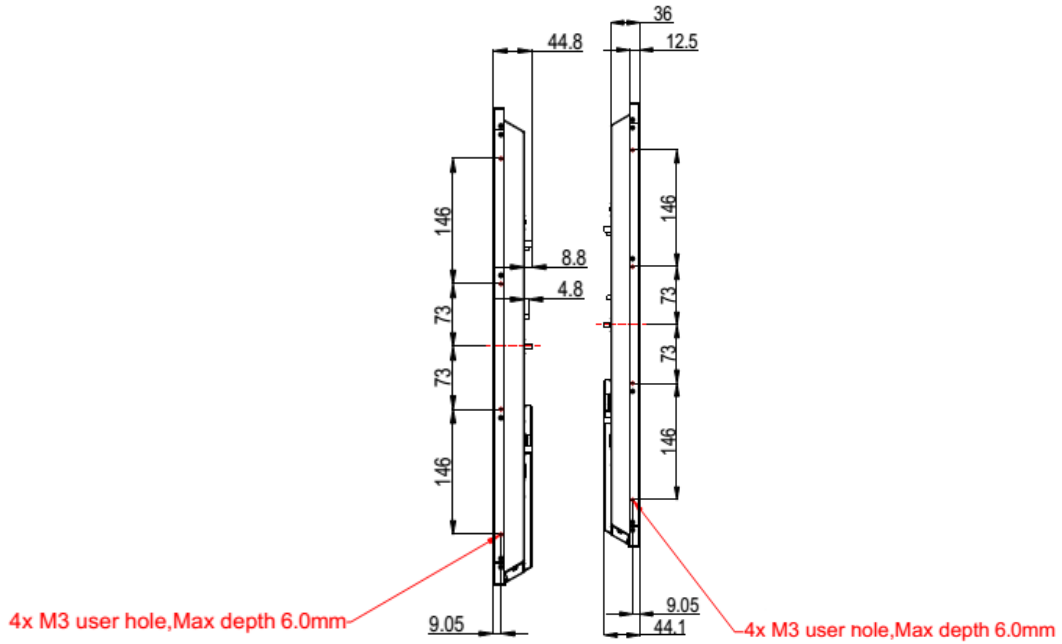
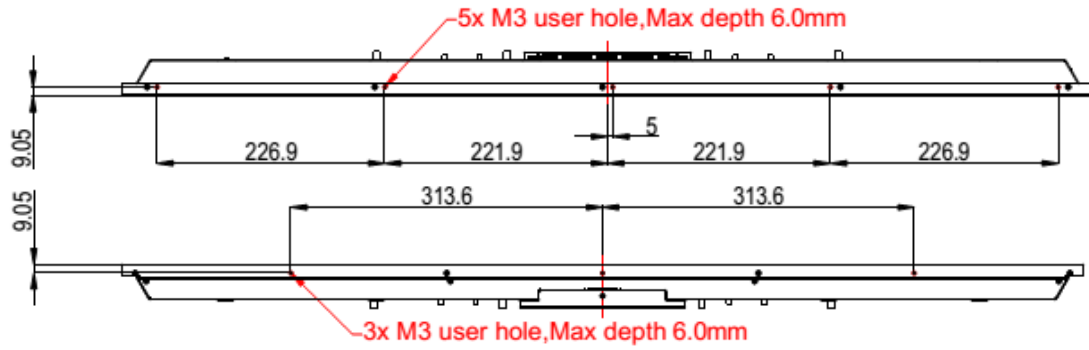


Mechanical Drawing

Outline Dimensions

Unit:mm





Note:
 1.LCD connector: JAE FI-RTE51SZ-HF
 2.Tolerance is $\pm 1.0\text{mm}$ unless noted



Ordering Information

Part Number	Description
DLF4309-ANU-A01	43",1800nits,UHD,LID43A,3in1,V1
DLH4309-ANU-M01	43",1800nits,UHD,LID43A,AD9131GDHP,AC100~240V,3in1,V1

Optional Accessories

Part Number	Description
810618301010	CABLE.POWER.AC.1830mm USA type
810618301090	CABLE,POWER,AC,1830mm Europe type
810618301050	CABLE.POWER.AC.1830mm UK type
810618301170	CABLE.POWER,AC,1830mm Australia type
810618301031	CABLE.POWER.AC.1830mm Japan type

Customer request

Touch	PCT (Multi-Touch)
Glass	Tempered glass, AR coating.....