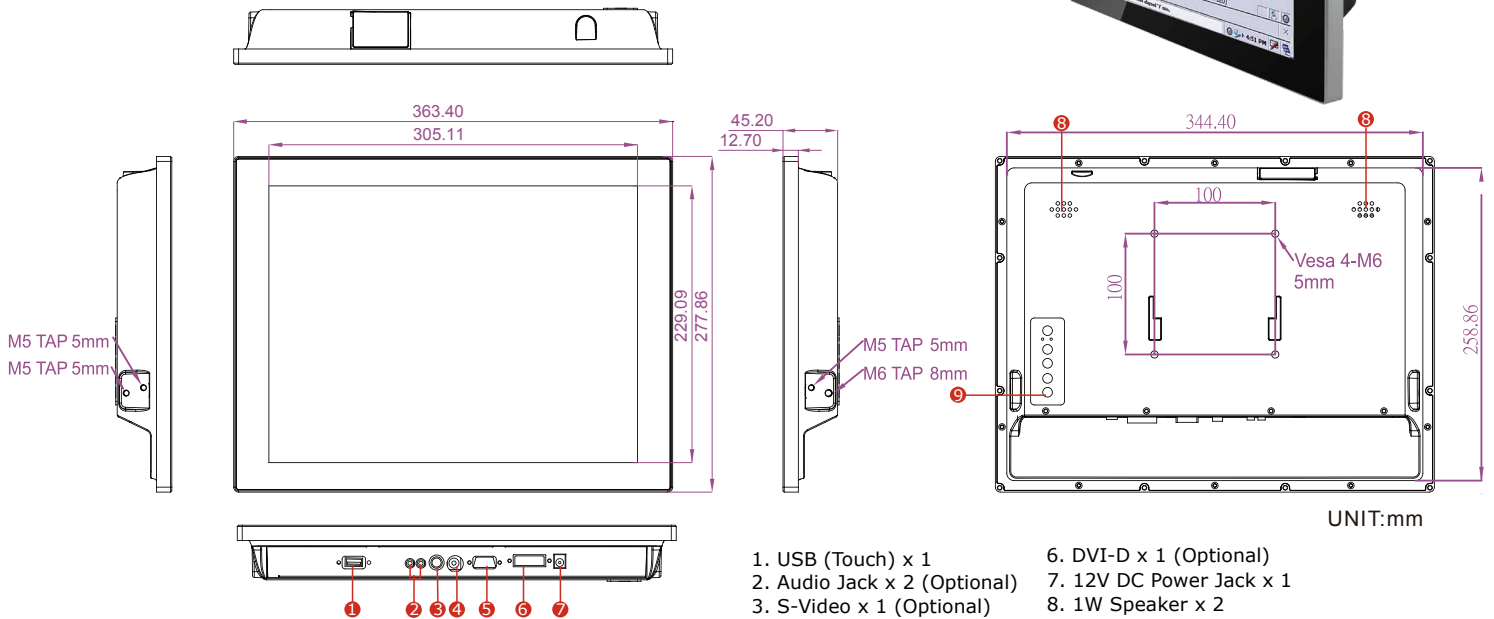


# 15" P-Cap Chassis Display - R15L600-PCC3(HB)

## Features

- 15" 1024 x 768 Resolution
- Projected Capacitive Multi-Touch (P-Cap)
- Front IP65 Water and Dust Proof
- VGA input and variety of optional connectors
- USB port for touch
- Stylish and elegant design



1. USB (Touch) x 1
2. Audio Jack x 2 (Optional)
3. S-Video x 1 (Optional)
4. Composite x 1 (Optional)
5. VGA x 1
6. DVI-D x 1 (Optional)
7. 12V DC Power Jack x 1
8. 1W Speaker x 2
9. OSD Control Panel x 1

\* Note: this is a simplified drawing and some components are not marked in detail. Please contact our sales representative if you need further product information.

## Specifications

### Display Spec :

- Size/Type : 15" TFT
- Resolutions : 1024x768
- Brightness : 250cd/m<sup>2</sup> (typ.)  
Optional for High brightness 1000 cd/m<sup>2</sup> (typ.)
- Contrast Ratio : 700 : 1 (typ.)
- Viewing Angle : -80~80(H);-70~70(V)
- Max Colors : 16.2M
- Touch : Projective-Capacitive Touch

### Power Specification :

- Power Input : 12V DC, with External AC to DC Adapter (100~240V AC)
- Power Consumption : 25 W typical, normal operation

### Environment Considerations :

- Operating Temperature : -10 °C to 55 °C
- Operating Humidity : 10% to 90% (non-condensing)
- IP Rating : Front IP65

### Input Specifications :

- Input Ports : 1 x VGA  
1 x DVI-D (Optional)  
1 x Composite (Optional)  
1 x S-Video (Optional)  
2 x Audio (Optional)
- USB Port (Touch) : 1 x USB 2.0
- Speaker : 2 x 1 Watt speaker

### Mechanical Specification :

- Mounting : VESA Mount (100x100mm)
- Dimensions (W x H x D) : 363.40 x 277.86 x 45.20 (mm)

### Product Optional :

- Accessory : Vesa Mounting Arm / Table Stand Mount