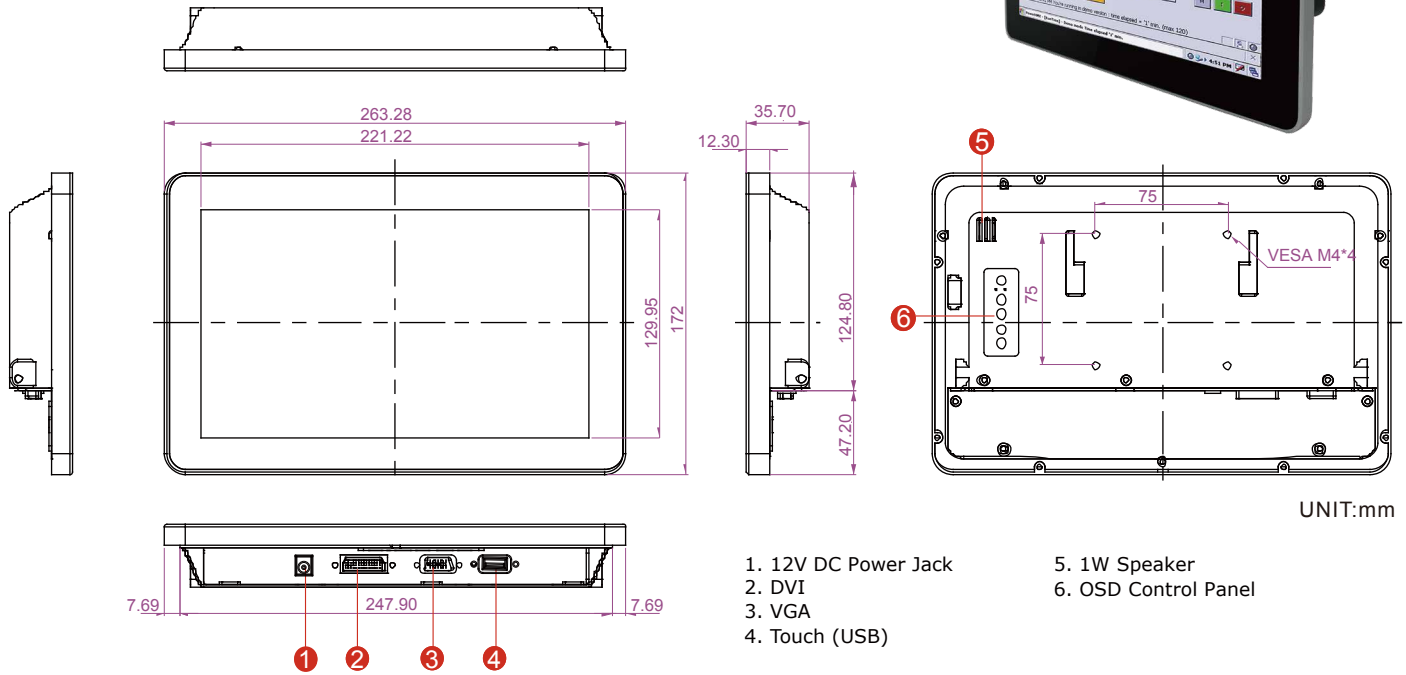


10.1" P-Cap Chassis Display - W10L100-PCH1(HB)

Features

- 10.1" 1024 x 600 Resolution
- Projected Capacitive Multi-Touch (P-Cap)
- Front IP65 Water and Dust Proof
- VGA input and variety of optional connectors
- USB port for touch
- Stylish and elegant design



UNIT:mm

1. 12V DC Power Jack
2. DVI
3. VGA
4. Touch (USB)
5. 1W Speaker
6. OSD Control Panel

* Note: this is a simplified drawing and some components are not marked in detail. Please contact our sales representative if you need further product information.

Specifications

Display Spec :

- Size/Type : 10.1" TFT (Widescreen)
- Resolutions : 1024 x 600
- Brightness(cd/m2) : 200 cd/m2 (typ.)
optional for high brightness 800 cd/m2 (typ.)
- Contrast Ratio : 500 : 1 (typ.)
- Viewing Angle : -70~70 (H); -60~50 (V)
- Active Display Area(mm) : 220.416 (H) x 129.15 (V)
- Pixel Pitch(mm) : 0.21525 (H) x 0.21525 (V)
- Touch : Projective Capacitive Touch

Power Specification :

- Power Source : 12V DC, with External AC Adapter (100~240 AC)
- Power Consumption : 10 W typical, normal operation

Environment Considerations :

- Operating Temperature : 0 °C to 50 °C
- Operating Humidity : 10% to 95% (non-condensing)
- IP Rating : Front IP65

Input Specifications :

- Input Ports : 1 x 12V DC
1 x VGA
1 x DVI
1 x Touch(USB)
- Speaker : 1 x 1 Watt speaker

Mechanical Specification :

- Mounting : VESA Mount (100x100mm)
- Dimensions (W x H x D) : 263.28 x 172.0 x 35.70 (mm)

Product Optional :

- Accessory : Vesa Mounting Arm / Table Stand Mount