

IP65 Solution

8.4"

Specifications

RoHS
COMPLIANT
2011/ 65/ EU

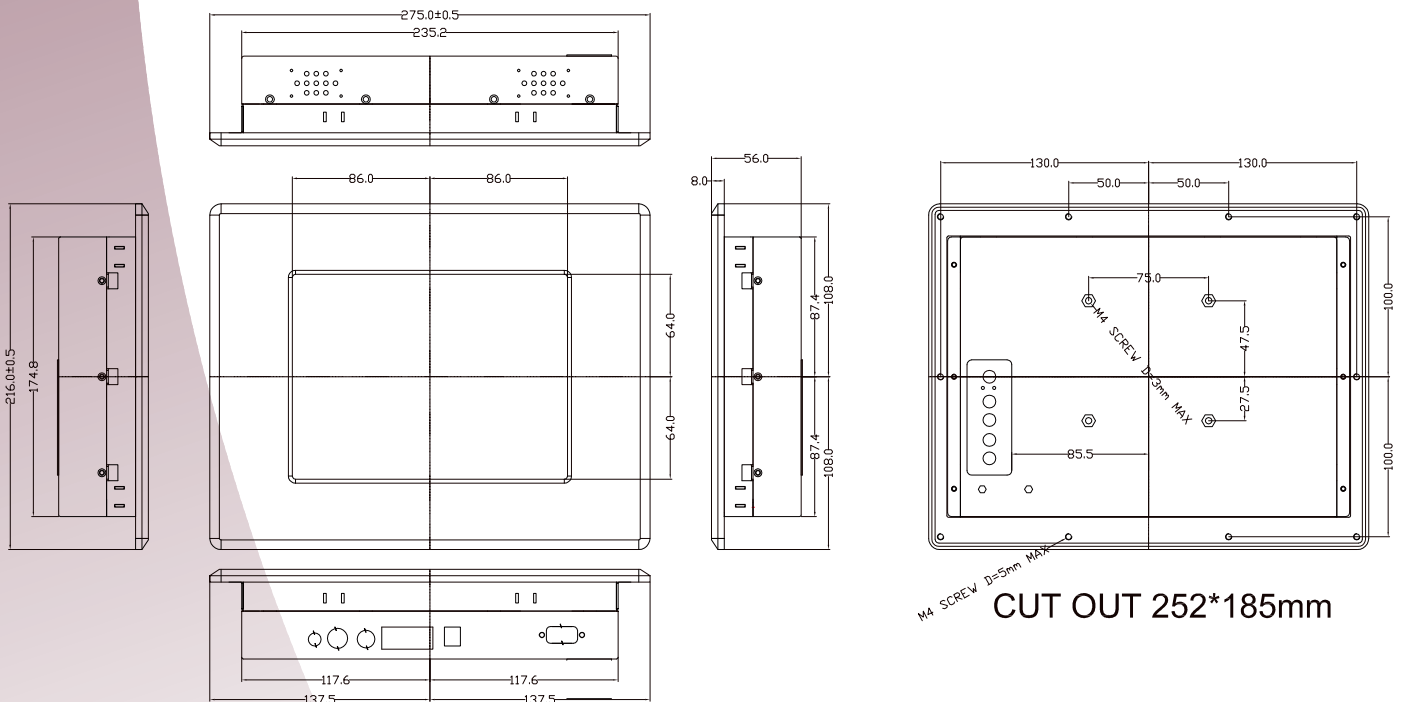
Model Name	R08L200-IPU1-1
Viewable Size Image	8.4"
Active Display Area(mm)	170.4(H)x127.8(V)
Pixel Pitch(mm)	0.213(H)x0.213(V)
Number of Pixels	800x600
Contrast Ratio	600:1 (typ.)
Display Color	262K
Brightness(cd/m ²)	600 (typ.)
Viewing Angle(CR>=10)	-75~75(H); -60~70(V)
Synchronization Range	
Horizontal/Vertical	31.5~46.9KHz/60~75Hz
Recommended Resolution	800x600@60Hz, 75Hz
Signal Connector	15 pin D-Sub
Power Source	12V DC in, with External AC to DC Adapter(100~240V AC)
Power Consumption	15W typical, normal operation
Power Management	VESA DPMS Compliant
Plug & Play	VESA DDC 1/2B
Optional Video Input	S-Video, Composite
Optional DVI Input	No
Optional Touch Screen	Resistive

Remarks: R08L200 series= VGA input only

R08L230 series= VGA+Video Input



Mechanical Drawing



* Note: this is a simplified drawing and some components are not marked in detail. Please contact our sales representative if you need further product information.