



SSF/SSH1393-A

13.9" Resizing LCD, Brightness 600nits, LED backlight, 1280x398 ultra wide aspect ratio 16:5

SSF/SSH1393-A is an innovative ultra-wide, LED backlight LCD display. It provides LCD panel with specific ratios for digital signage, public transportation, exhibition hall, department store, vending machine and industrial applications.

Key Features

- 13.9" resizing LCD
- Stretched display (aspect ratio of 16 : 5)
- Brightness of 600 nits
- Resolutions of 1280 x 398
- Wide temperature range (-30°C~85°C)
- Low power consumption
- BL MTBF: 70,000 hours



Specifications

V1

Model No.	SSF1393-A	SSH1393-A
Description	13.9" Resizing LCD Module, 600nits, LED backlight, 1280x398	
Display Area	337.92x105.14 mm	
Brightness	600nits	
Resolution	1280 x 398	
Aspect Ratio	16 : 5	
Contrast Ratio	700:1	
Pixel Pitch (mm)	0.264 x 0.264	
Viewing Angle	170°(H), 160°(V)	
Display Colors	16.7M	
Response Time (Typical)	30 ms	
Power Consumption	19W	21W
Dimensions (mm)	358.5x130x18	
Weight (Net)	0.7kg	
LED Driving Board	On module	
Control Board (Optional)	<input type="checkbox"/> AD6038GD	
<input type="checkbox"/> AD2662GD	VGA+DVI	
F / R Control Button	<input type="checkbox"/> 4 Key	
<input type="checkbox"/> 4 Key	Power Switch, Menu, Select (+,-),	
OSD Menu	Brightness, Contrast, H/V Position, Color, Phase, Clock...	
Optional	<input type="checkbox"/> AOT <input type="checkbox"/> Touch Screen	

Specifications are subject to change without notice.

All brands or product names are trademarks or registered trademarks of their respective companies.

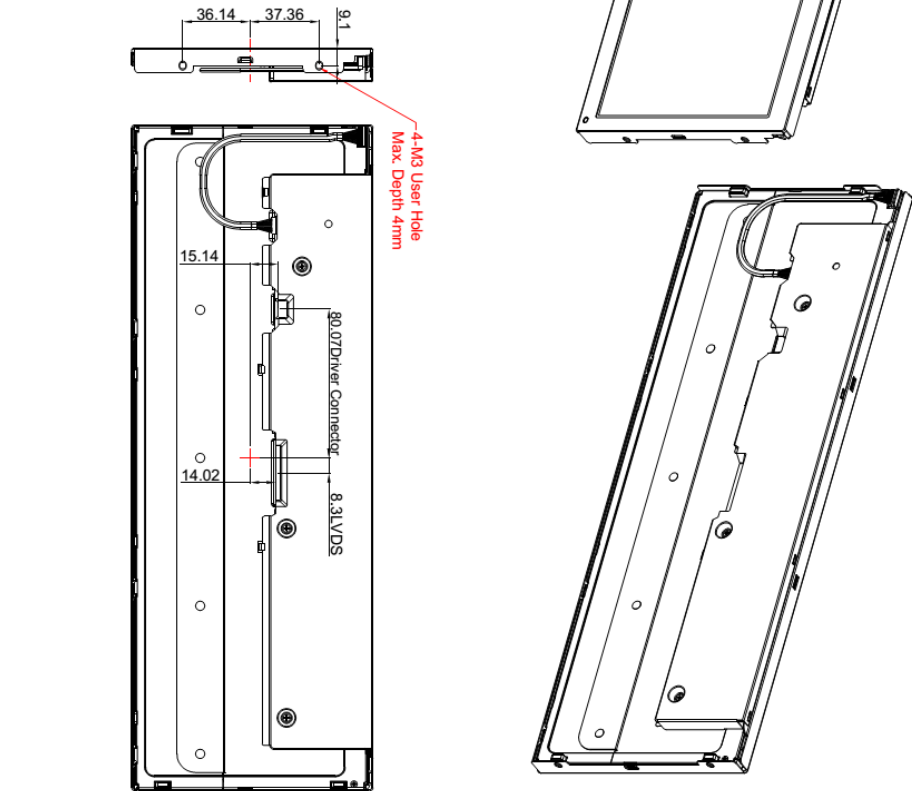
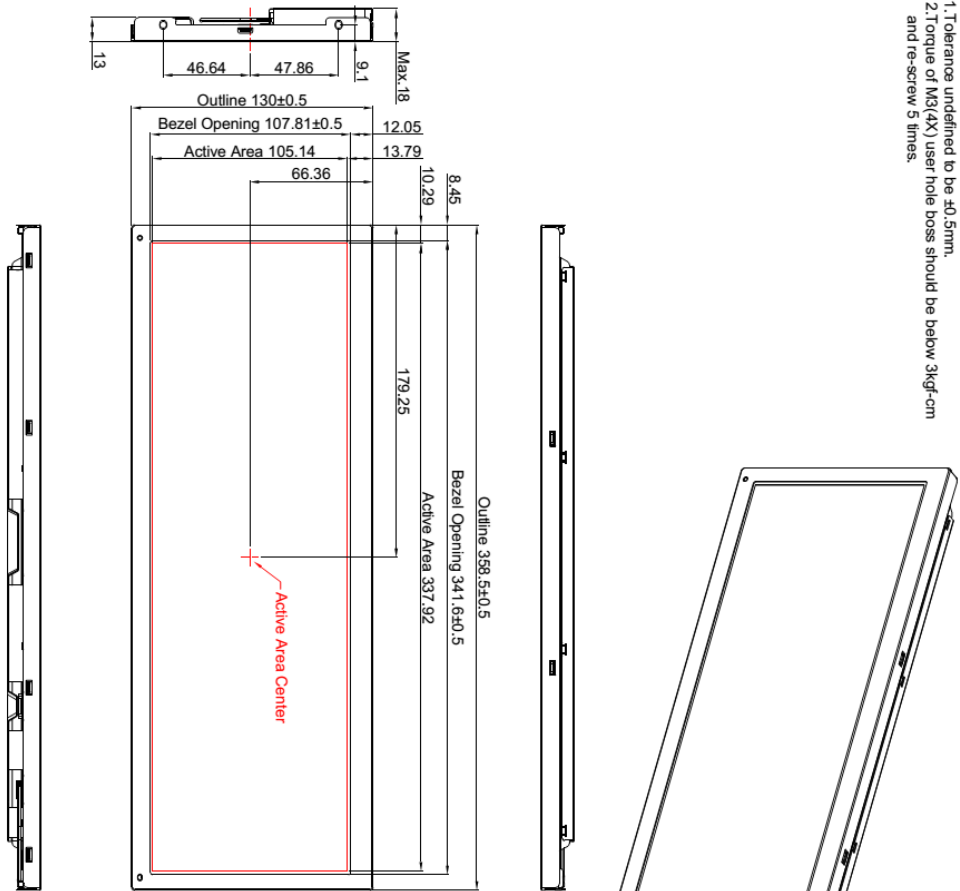
SSF = Panel+ LED Driving Board

SSH = Panel+ LED Driving Board + AD Board



Mechanical Drawing

Note:
 1. Tolerance undefined to be $\pm 0.5\text{mm}$.
 2. Torque of M3(4X) user hole boss should be below 3kgf-cm and re-screw 5 times.



REV	ECN NO.	DESCRIPTION	SIGN	DATE
V0		正式承認發行	Kan_Liu	2015/2/16

APPROVED	CHECKED	DESIGNED	LEVEL	General tolerance \pm	SELECT LEVEL	MATERIAL	FINISH	DATE
		Kan_Liu	DIM	1	2			2015/2/16
			0 - 4	0.1	0.1			
			4 - 14	0.1	0.2			
			14 - 63	0.15	0.3			
			63 - 250	0.25	0.6			
			250 - 500	0.3	0.8			
			500 - 1000	0.5	1.2			

UNIT	SCALE	VDIHT	ANGLE	GENERAL TOLERANCE	3rd Angle	DIRECTIONAL MODEL
MM	1:1					

TITLE: SAU1393 VHB Outline Dimension
 DRAWING NUMBER: 911013933002

DESCRIPTION: VHB,AUC,1393,600HIS,VO,G17DEG01 V1,SPANKKEL,Black,P
 Litemax
 Electronic Inc. SIZE: A4 SH: 1-1 REV: V0



Ordering Information

Part Number	Description
SSF1393-ANN-A01	13.9",600nits,1280*398,LID on module,10in1,V01
SSH1393-ANN-I01	13.9",600nits,1280*398,LID on module,AD6038GD,DC12V,5in1,V01

Optional Accessories

Part Number	Description
840612051210	ADAPTER,AC/DC,12V/5.4A,65W,Atech OEM A065112-TDx.4P SLIDING CAP,P
810618301010	CABLE.POWER.AC.1830mm USA type
810618301090	CABLE,POWER,AC,1830mm Europe type
810618301050	CABLE.POWER.AC.1830mm UK type
810618301170	CABLE.POWER.AC,1830mm Australia type
810618301030	CABLE.POWER.AC.1830mm Japan type