

# Multi-touch Solution 19" Marine Bridge System Display

Model # R19L300-MRA2MT

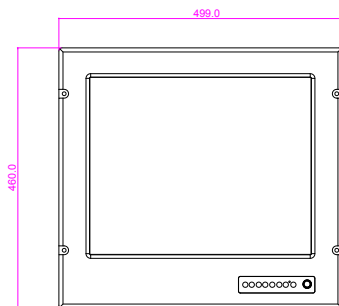
## Features:



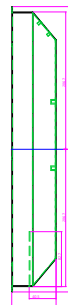
- Hyper Dimming : Dimming knob control backlight brightness from nearly 0% to 100%
- Anti-Corrosion & IP Proof : IP65 aluminum housing with powder coating design (IP54 rear)
- Wide Voltage Range Input : 24 V DC to DC power input acceptable (Isolation Resistance)
- Multi-touch screen / Protection Glass : High quality Multi-touch screen / AR protection glass for optional
- Multiscan Function : PIP (picture in picture) function and multi-video inputs
- IP65 OSD Front Panel Design : Ease of use front panel OSD control
- Anti-Shock and Vibration : Enhanced shock and vibration resistance



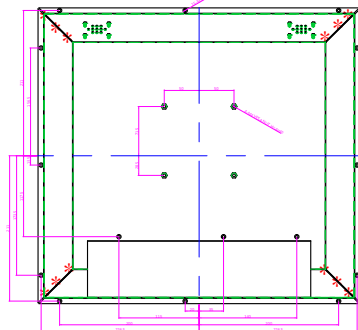
## Mechanical Design Drawings



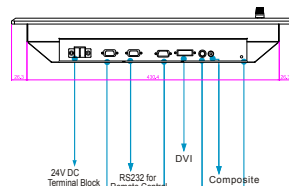
Front View



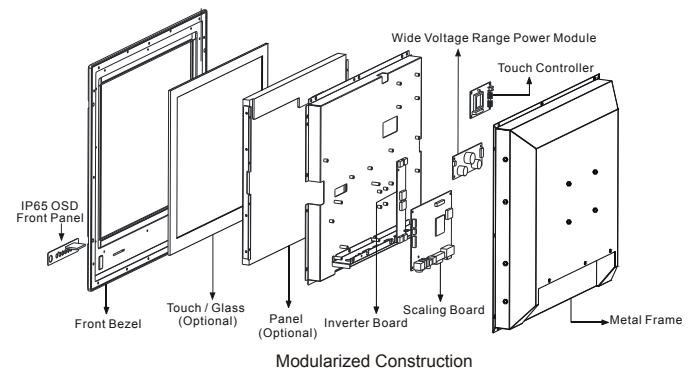
Side View



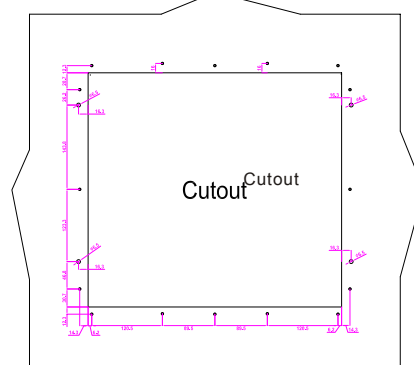
Rear View



Bottom View



Modularized Construction



All Dimensions are  $\pm 0.5$  mm

\* Note: this is a simplified drawing and some components are not marked in detail. Please contact our sales representative if you need further product information.

## TFT Characteristics:

|                     |                                |
|---------------------|--------------------------------|
| Pixel Number        | : 1280 x 1024                  |
| Pixel Pitch (RGB)   | : 0.294 (H) x 0.294 (V) mm     |
| Contrast Ratio      | : 1000:1 (typ.)                |
| Light Intensity     | : 350 cd/m <sup>2</sup> (typ.) |
| Viewable Angles     | : -85~85(H); -80~80(V)         |
| Active Display Area | : 376.32 (H) x 301.06 (V) mm   |
| Max Colors          | : 16.7M (8bit/colors)          |

## Input Signals:

|                              |                                |
|------------------------------|--------------------------------|
| RGB Signal                   | : D-SUB 15P connector (female) |
| Composite Video              | : RCA phono plug               |
| S-Video Signal               | : S-Video (SVHS) plug          |
| DVI-D Signal                 | : DVI-D input 24pin connector  |
| DC Power Signal              | : Screw terminal block         |
| AC Power Signal (Optional)   | : Std IEC Inlet                |
| Touch Screen (Optional)      | : USB connector (female)       |
| Remote via RS-232 (Optional) | : D-SUB 9P connector (female)  |

## User Controls:

Power On/Off via front button  
VR Brightness Knob Control  
Power Mode Status LED  
On Screen Display control (OSD)  
OSD Remote Control via RS-232

## Power Specifications:

|                      |  |
|----------------------|--|
| Power Supply Options | : 24 V DC power supply with Terminal block (Default, Isolation Resistance) |
| Power Consumption    | : 45 W typical, normal operation   |

## Mechanical and Environmental:

|                       |  |
|-----------------------|--|
| Mechanical Mounting   | : Panel (Flush) mount with IP65*, VESA, Bracket mounting |
| Operating Temperature | : -15 to 55 deg.C (-20 to 60 deg.C for optional heating) |
| Operating Humidity    | : 5% to 95% (non condensing)                             |
| Anti-Vibration        | : 5Hz~500Hz / 1Grms/3 Axis                               |
| Anti-Shock            | : 15G, 11ms duration                                     |
| * SAW touch for IP54  |  |

## Available Options:

|                          |   |
|--------------------------|---|
| Touch Screen Options     | : Projective Capacitive touch (Support 2 Point)           |
| AR Safety Glass Options  | : 3mm Anti-reflective protection glass                    |
| Bracket Mounting Options | : Yes (One robust bracket can adjust from -10 to 30 deg.) |

Certification and Approvals: IEC 60945, CE, FCC



Note: All Specifications are subject to change without prior notice!

Revised Date : 12/15/2014