

# 20.1" Marine Bridge System Display

Model # R20L100-MRA2

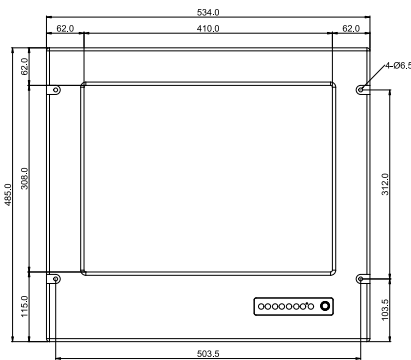
## Features:



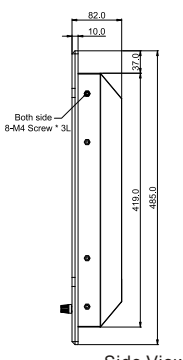
- **Hyper Dimming** : Dimming knob control backlight brightness from nearly 0% to 100%
- **Sunlight Readable** : Transflective film technology enhance visibility
- **Anti-Corrosion & IP Proof** : IP65 aluminum housing with powder coating design (IP54 rear)
- **Wide Voltage Range Input** : 9 to 36V DC to DC power input acceptable (AC power for option)
- **Touchscreen/ Protection Glass** : High quality touchscreen / AR protection glass for option
- **Multiscan Function** : PIP(picture in picture) function and multi-video inputs
- **IP65 OSD Front Panel Design** : Ease of use front panel OSD control
- **Anti-Shock and Vibration** : Enhanced shock and vibration resistance



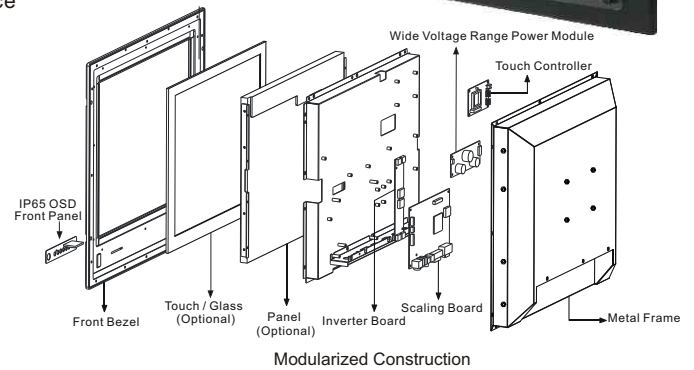
## Mechanical Design Drawing



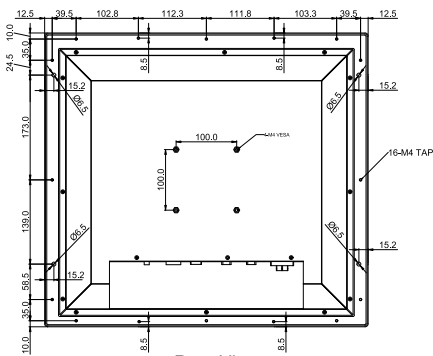
Front View



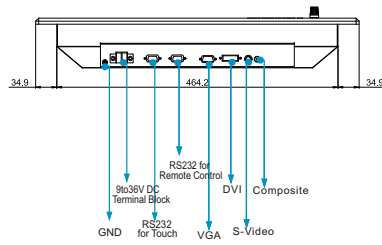
Side View



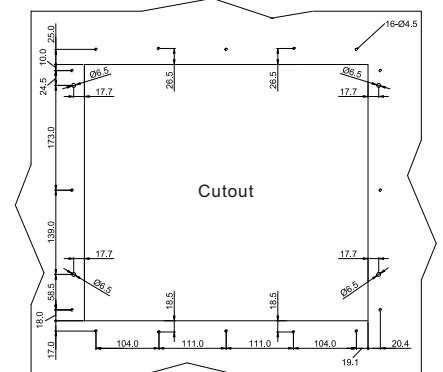
Modularized Construction



Rear View



Bottom View



All Dimensions are  $\pm 0.5$  mm

\* Note: this is a simplified drawing and some components are not marked in detail. Please contact our sales representative if you need further product information.

## TFT Characteristics:

Pixel Number	: 1600 x 1200
Pixel Pitch(RGB)	: 0.255 (H) x 0.255(V) mm
Contrast Ratio	: 700:1(typ.)
Light Intensity	: 300 cd/m <sup>2</sup> (typ.)
Viewable Angles	: -89~89(H); -89~89(V)
Active Display Area	: 408.0 (H) x 306.0(V) mm
Max Colors	: 16.7M (8bit/colors)

## Input Signals:

RGB Signal	: D-SUB 15P connector(female)
Composite Video	: RCA phono plug
S-Video Signal	: S-Video (SVHS) plug
DVI-D Signal	: DVI-D input 24pin connector
DC Power Signal	: Screw terminal block
AC Power Signal (Optional)	: Std IEC Inlet
Touch Screen (Optional)	: D-SUB 9P connector (female)
Remote via RS-232 (Optional)	: D-SUB 9P connector (female)

## User Controls:

- Power On/Off via front button
- VR Brightness Knob Control
- Power Mode Status LED
- On Screen Display control(OSD)
- OSD Remote Control via RS-232

## Power Specifications:

Power Supply Options	: 9 to 36 V DC power supply with Terminal block (Default), 90 to 265V AC powersupply
Power Consumption	: 70 W typical, normal operation

## Mechanical and Environmental:

Mechanical Mounting	: Panel (Flush) mount with IP65*, VESA, Bracket mounting
Operating Temperature	: -10 to 55 deg.C (-20 to 60 deg.C for optional heating)
Operating Humidity	: 5% to 95% (non condensing)
Anti-Vibration	: 5Hz~500Hz / 1Grms/3 Axis
Anti-Shock	: 15G, 11ms duration
* SAW touch for IP54	

## Available Options:

Touch Screen Options	: SAW, 5 Wire Resistive
AR Safety Glass Options	: 3mm Anti-reflective protection glass
Transflective Options	: Yes (Enhance Visibility)
AC power Options	: Yes (90 to 265 V AC power input)
Bracket Mounting Options	: Yes (One robust bracket can adjust from -10 to 30 deg.)

Certification and Approvals : CE, FCC

Note: All Specifications are subject to change without prior notice!



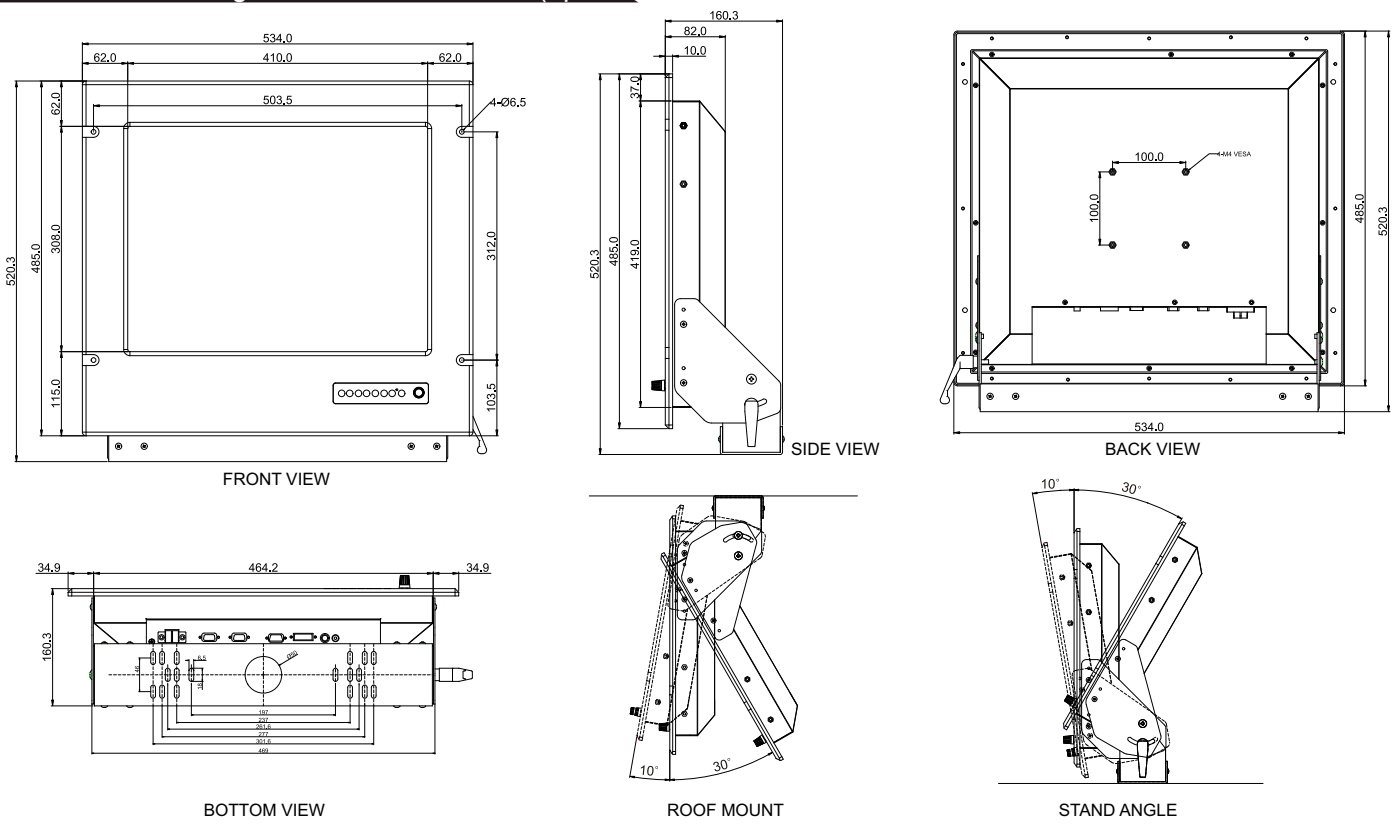
Revised Date : 03/02/2011



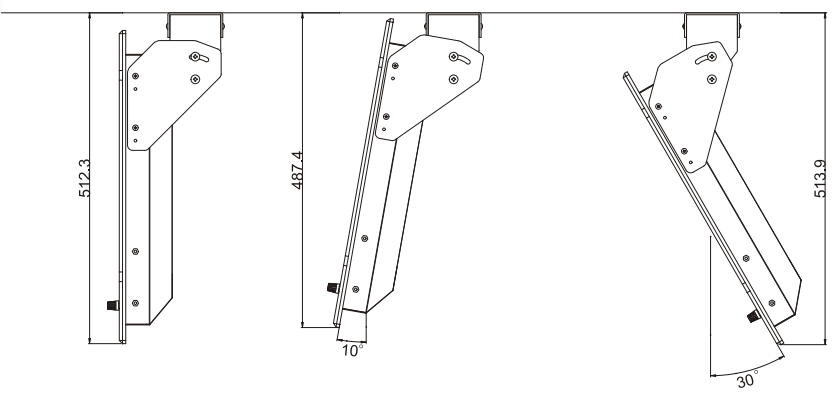
# 20.1" Marine Bridge System Display

Model # R20L100-MRA2

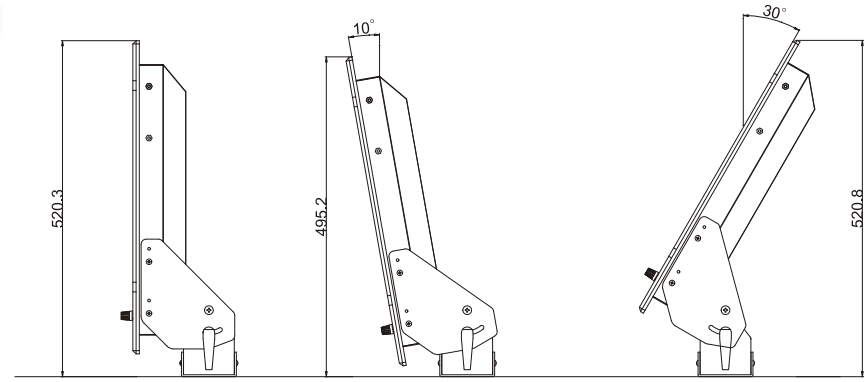
## Mechanical Design with Robust Bracket (option)



### ROOF MOUNT



### STAND ANGLE



All Dimensions are ±0.5 mm

\* Note: this is a simplified drawing and some components are not marked in detail. Please contact our sales representative if you need further product information.



Rev.	Reasons	Revised Date
1.0	Add holes for brackets on back cover*	Nov-17-08
1.1	Spec change	Aug-06-10
1.2	Spec change	Mar-02-11

\* Extra charge is required for back covers with bracket holes for products purchased before end of Nov. 08'

Certification and Approvals : CE, FCC

Note: All Specifications are subject to change without prior notice!

Revised Date : 03/02/2011