

17" Marine Bridge System Display

Model # R17L500-MRM1

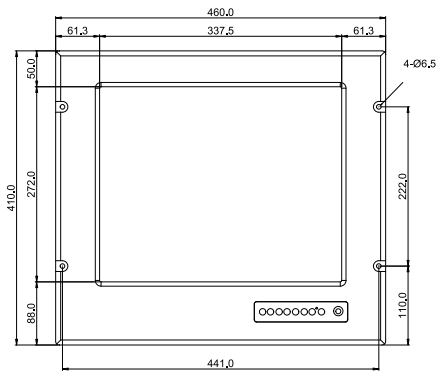
Features:



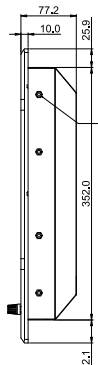
- Hyper Dimming : Dimming knob control backlight brightness from nearly 0% to 100%
- Anti-Corrosion & IP Proof : IP65 aluminum housing with powder coating design (IP54 rear)
- Wide Voltage Range Input : 9 to 36V DC to DC power input acceptable (AC power for option)
- Touchscreen/ Protection Glass : High quality touchscreen / AR protection glass for option
- IP65 OSD Front Panel Design : Ease of use front panel OSD control
- Anti-Shock and Vibration : Enhanced shock and vibration resistance



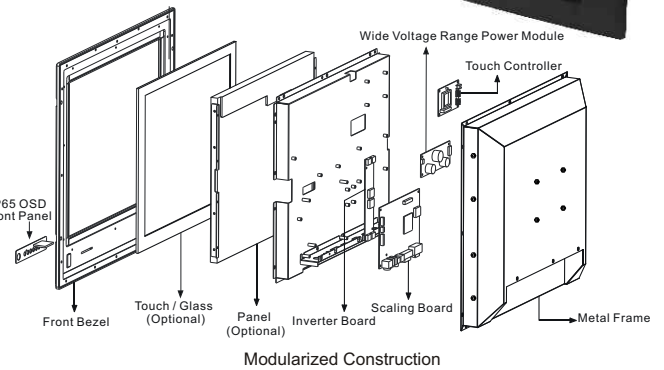
Mechanical Design Drawing



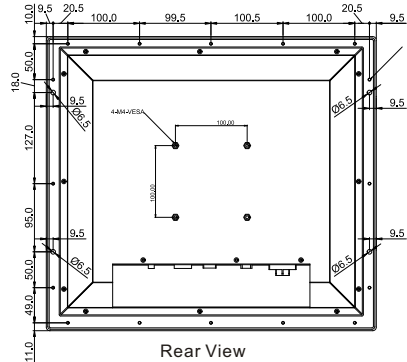
Front View



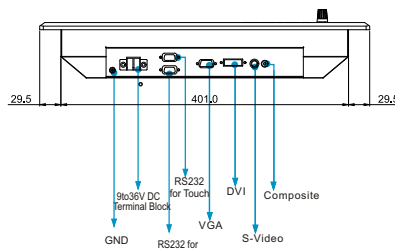
Side View



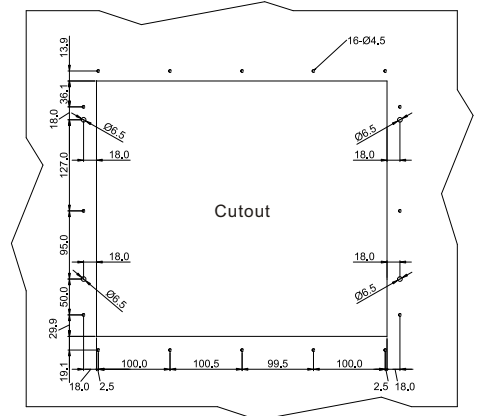
Modularized Construction



Rear View



Bottom View



Cutout

* Note: this is a simplified drawing and some components are not marked in detail. Please contact our sales representative if you need further product information.

TFT Characteristics:

Pixel Number	: 1280 x 1024
Pixel Pitch(RGB)	: 0.264 (H) x 0.264 (V) mm
Contrast Ratio	: 1000:1(typ.)
Light Intensity	: 350 cd/m ² (typ.)
Viewable Angles	: -85~85(H);-80~80(V)
Active Display Area	: 337.92 (H) x 270.34(V) mm
Max Colors	: 16.7M (6bits+Hi-FRC/colors)

Input Signals:

RGB Signal	: D-SUB 15P connector(female)
Composite Video	: RCA phono plug
S-Video Signal	: S-Video (SVHS) plug
DVI-D Signal	: DVI-D input 24pin connector
DC Power Signal	: Screw terminal block
AC Power Signal (Optional)	: Std IEC Inlet
Touch Screen (Optional)	: D-SUB 9P connector (female)
Remote via RS-232 (Optional)	: D-SUB 9P connector (female)

User Controls:

Power On/Off via front button
 VR Brightness Knob Control
 Power Mode Status LED
 On Screen Display control(OSD)
 OSD Remote Control via RS-232

Power Specifications:

Power Supply Options : 9 to 36 V DC power supply with Terminal block (Default),
 90 to 265V AC powersupply
 Power Consumption : 48 W typical, normal operation

Mechanical and Environmental:

Mechanical Mounting : Panel (Flush) mount with IP65*, VESA, Bracket mounting
 Operating Temperature : -10 to 55 deg.C (-20 to 60 deg.C for optional heating)
 Operating Humidity : 5% to 95% (non condensing)
 Anti-Vibration : 5Hz~500Hz / 1Grms/3 Axis
 Anti-Shock : 15G, 11ms duration
 * SAW touch for IP54

Available Options:

Touch Screen Options : 5 Wire Resistive
 AR Safety Glass Options : 3mm Anti-reflective protection glass
 AC power Options : Yes (90 to 265 V AC power input)
 Bracket Mounting Options : Yes (One robust bracket can adjust from -10 to 30 deg.)

Certification and Approvals : CE, FCC

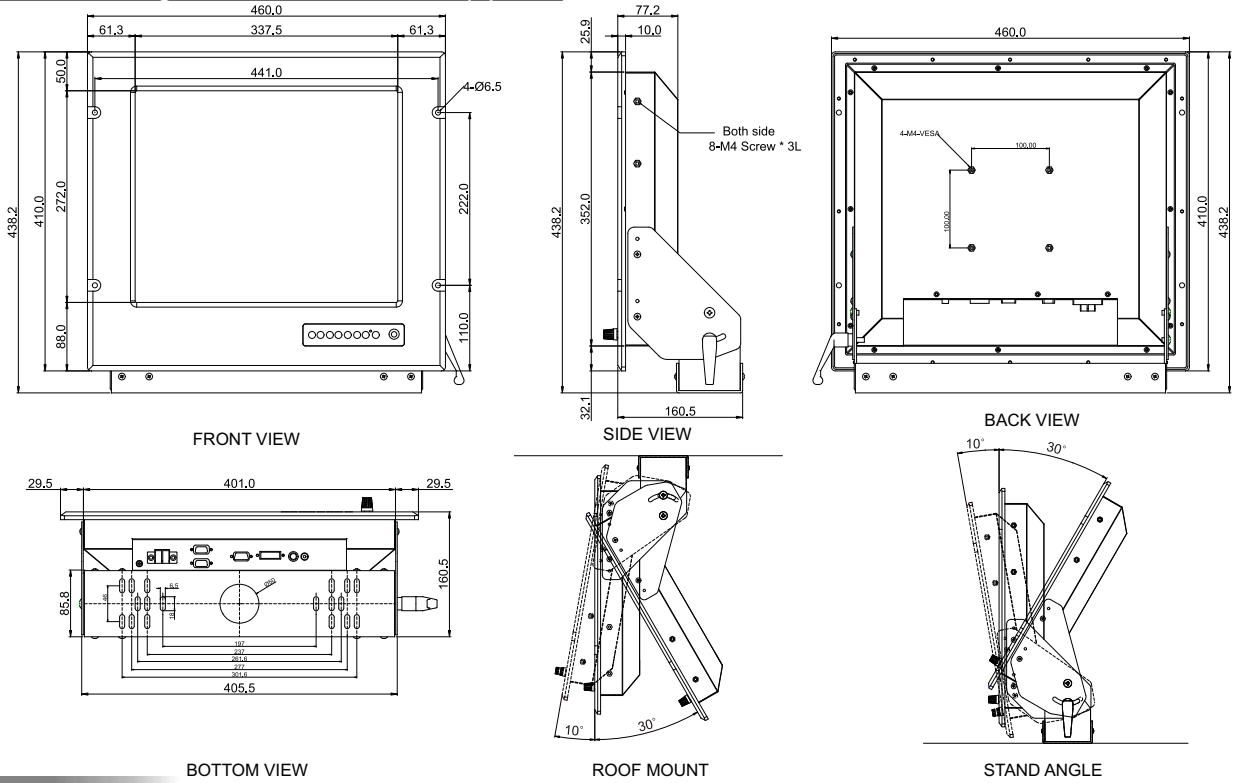




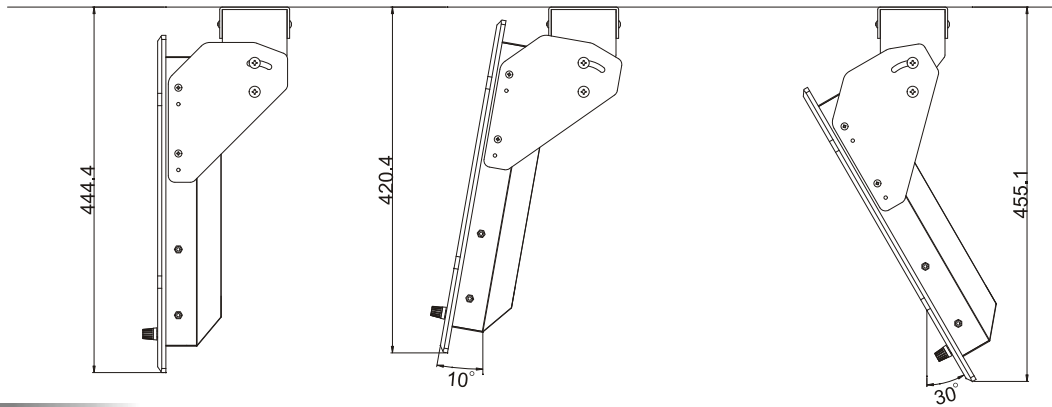
17" Marine Bridge System Display

Model # R17L500-MRM1

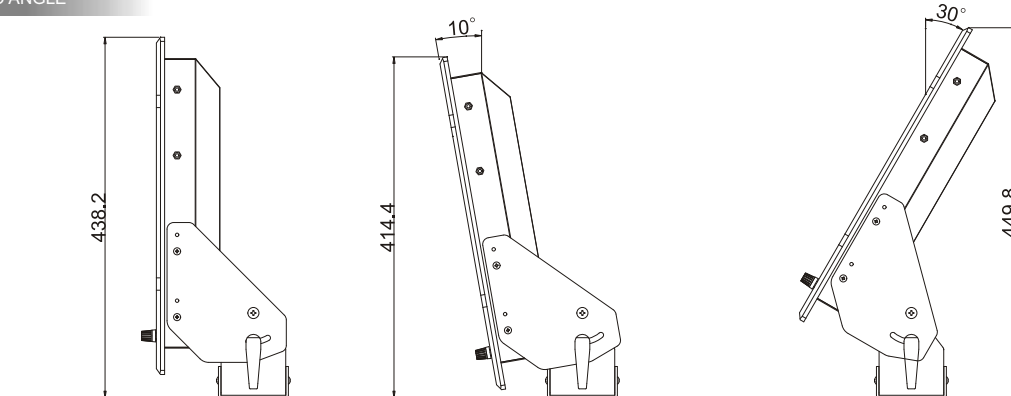
Mechanical Design with Robust Bracket (option)



ROOF MOUNT



STAND ANGLE



All Dimensions are ± 0.5 mm

* Note: this is a simplified drawing and some components are not marked in detail. Please contact our sales representative if you need further product information.

Rev.	Reasons	Revised Date
1.0	First release *	Apr-12-10
1.1	Spec change	Jun-02-10
1.2	Spec change	Mar-02-11

* Extra charge is required for back covers with bracket holes for products purchased before end of Nov. 08'

Certification and Approvals : CE, FCC



Note: All Specifications are subject to change without prior notice!

Revised Date : 03/02/2011